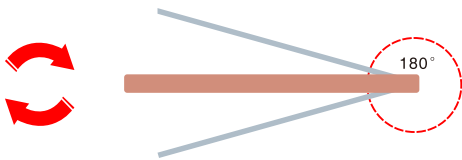




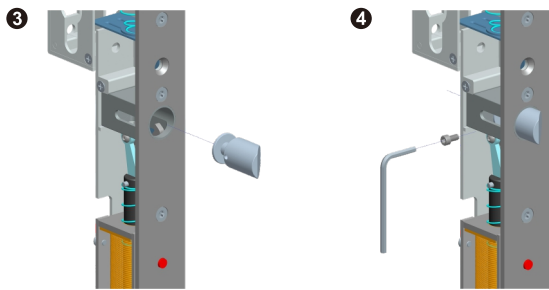
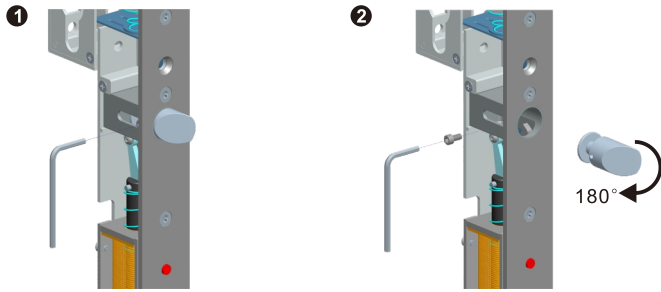
## Suitable for double action doors

Electric bolts are specially designed for double action doors. They can also be installed on both inswing doors and outswing doors.



## Adjustable Latch bolt

Please adjust the position of the latch bolt according to the door opening direction.



(Outdoor)

① DIN "Left" outswing

④ DIN "Right" outswing



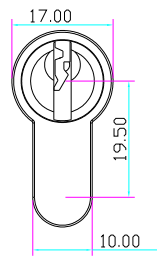
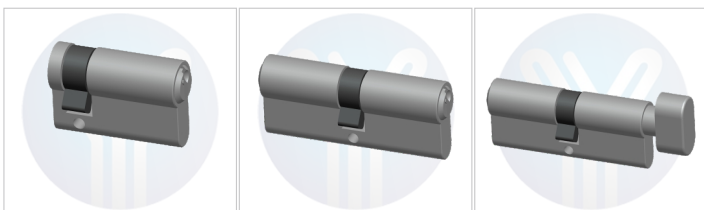
④ DIN "Left" inswing

① DIN "Right" inswing

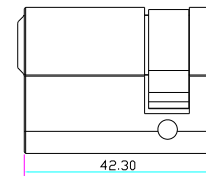
(Indoor)

## Optional cylinder

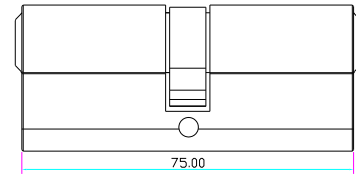
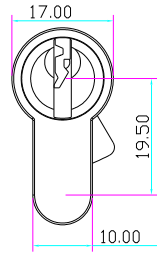
Single side or both-side cylinder is available. Other size of cylinders can be customized, 80/90/100/110/120mm.



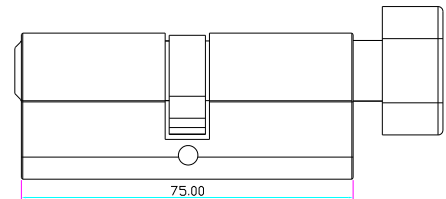
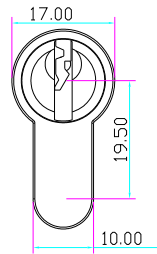
Single side cylinder



Single side cylinder



Both-side cylinder

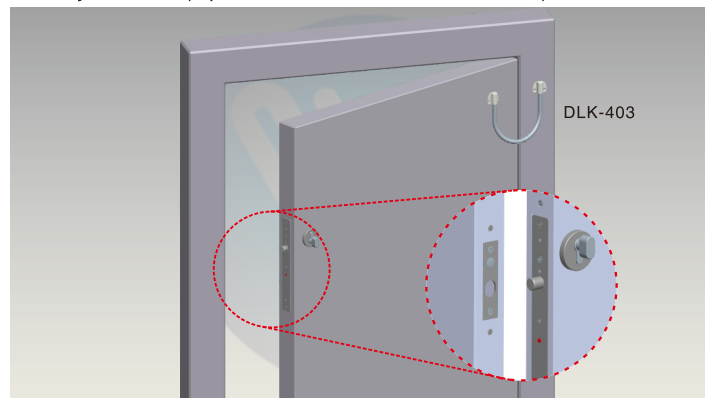


Single side cylinder with thumb turn (standard option)

Specially designed of European-type cylinder with electric control and manual control functions

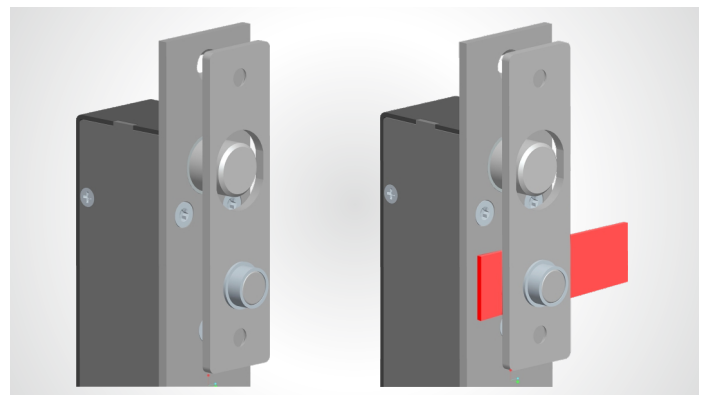
## Optional accessory

The door loop is used for protection of extension wiring from damages for security reasons. (Optional models: DLK-401/402/403)



## Vandal resistant circuitry

The reed sensor will automatically disconnect when the door is actually closed in order to enhance the security of the lock.



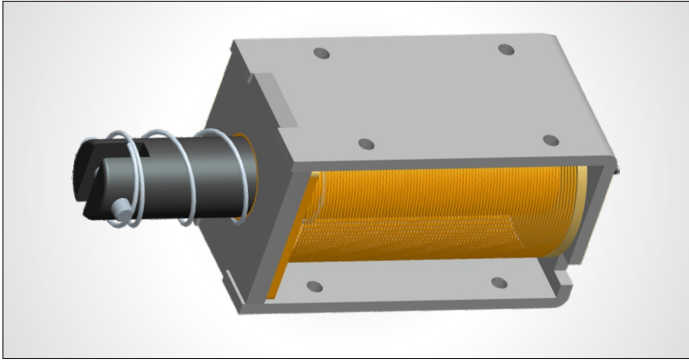
## Shenzhen YLI Electric Lock Co.,Ltd.

Room 1605, Block A, Haisong Building, Tairan 9th Road, Futian District, Shenzhen China  
 TEL:86-755-83489801/02/03/04/05/06 FAX:86-755-83489807  
 Website: www.yli.cn E-mail: yli@yli.cn



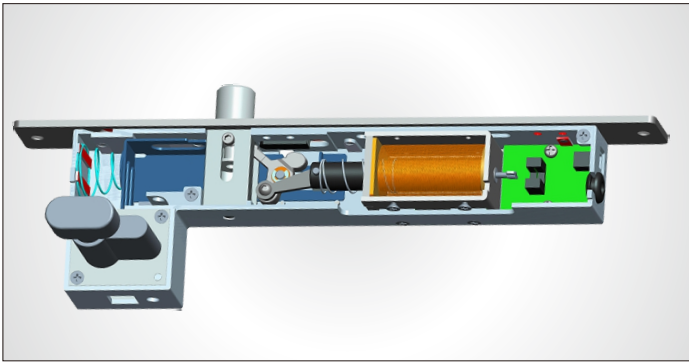
## Ultra durable solenoid valve

Tested for over 500,000 times, the specially designed solenoid valve can be used for 5 to 10 years.



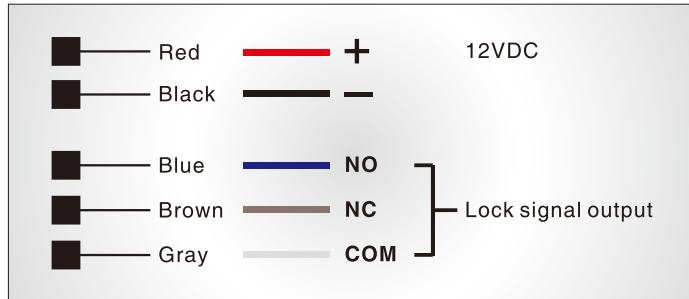
## All-metal lock body

The all-metal lock body and components make the lock stronger and more durable, which ensure the lock can work under the harsh environment. (Can order the lock work at the temperature of 60 °C or 40 °C below zero.)



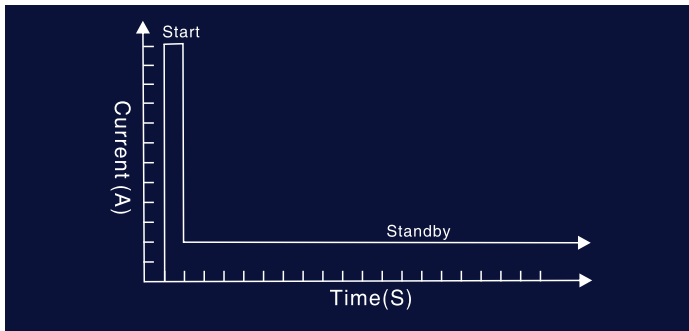
## Connecting instructions

With the special auto-detective circuit, we advise you to connect our own open wires to open the door instead of shutting off the power directly.



## Energy saving design

When the bolt is extended to keep the door locked, it draws only 0.2A in a holding mode down from 1.2A while the bolt is retracted. This design extends the life of the electric bolt.



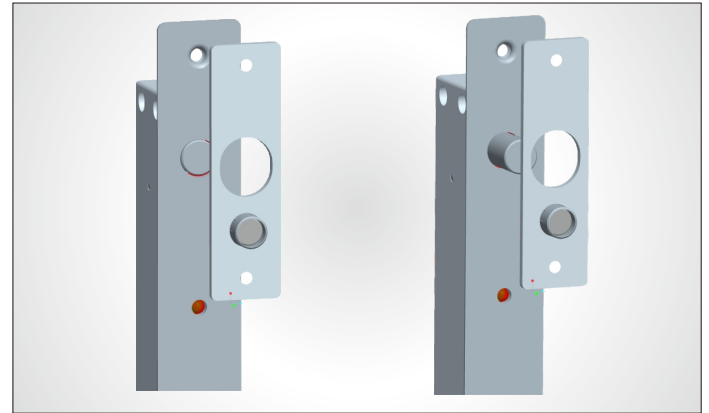
## Optional door or lock sensor output

Standard option is a set of NO/NC/COM lock signal output contact. (NO/COM of door signal output contact can be customized, YB-600C (LED)-DS)



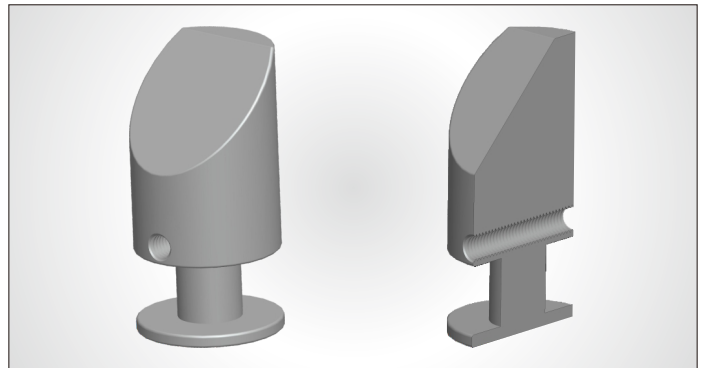
## Auto-detective circuitry

This special auto-detective circuit of electric bolt keeps the bolt retracted while the door unlocked or improperly aligned until the door is properly closed.



## 304 stainless steel solid bolt

With 304 stainless steel solid bolt, the electric bolt has 2000kg holding force. It is stronger and more durable under the harsh environment.



## Shenzhen YLI Electric Lock Co.,Ltd.

Room 1605, Block A, Haisong Building, Tairan 9th Road, Futian District, Shenzhen China  
 TEL:86-755-83489801/02/03/04/05/06 FAX:86-755-83489807  
 Website: www.yli.cn E-mail: yli@yli.cn

