

1:1

| Pos. | Benennung | Art.-Nr. | St. | Bemerkung |
|------|---------------------------------------|------------|-----|-----------|
| 1 | *OTS 210 ohne Gestänge | K-15710-01 | 1 | |
| 1-2 | *OTS 210 mit Normalgestänge | K-15710-00 | 1 | |
| 2 | *Feststellgestänge OTS 210 mechanisch | K-17456 | 1 | |
| | Bohrlehre | K-17805 | | |

Hinweis:

* nicht an Brandschutztüren verwendbar

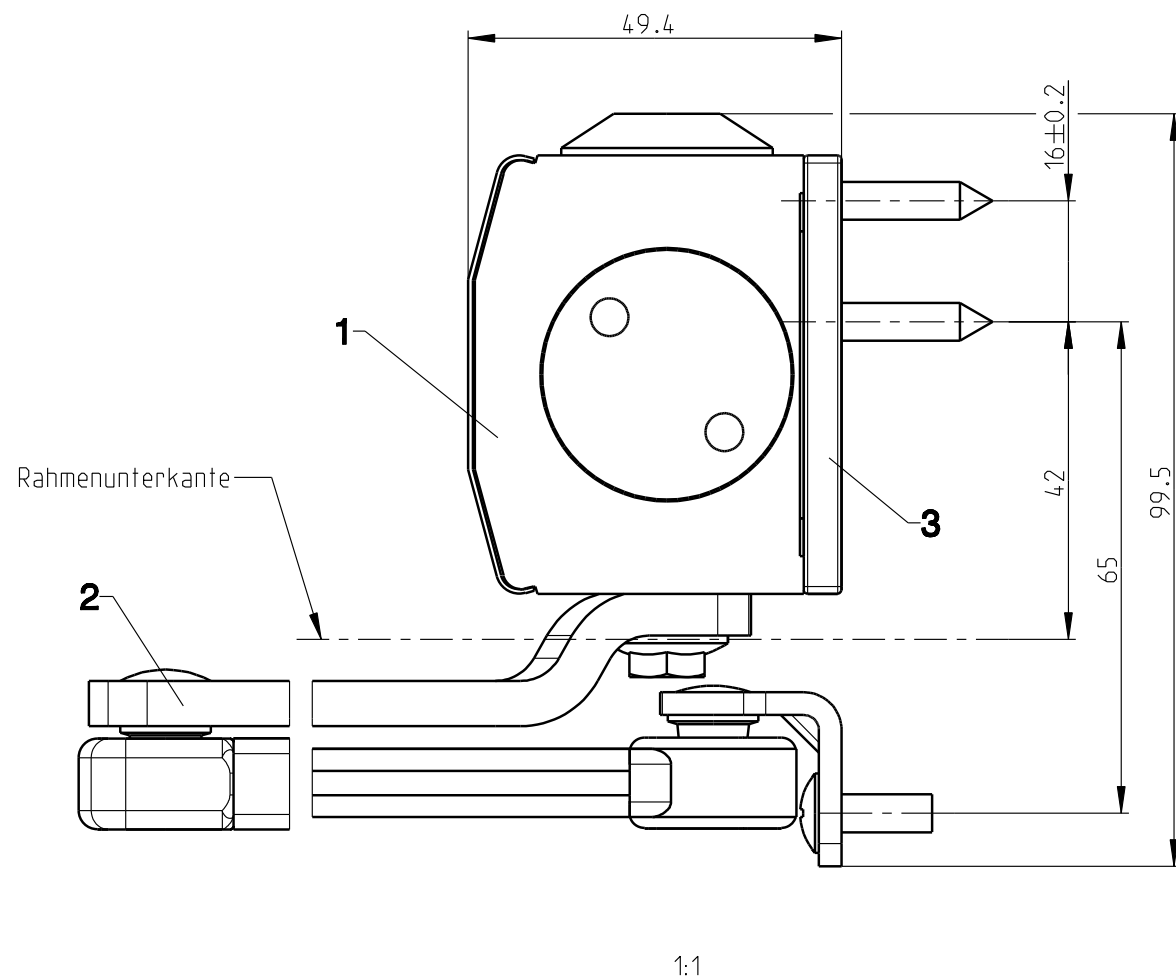
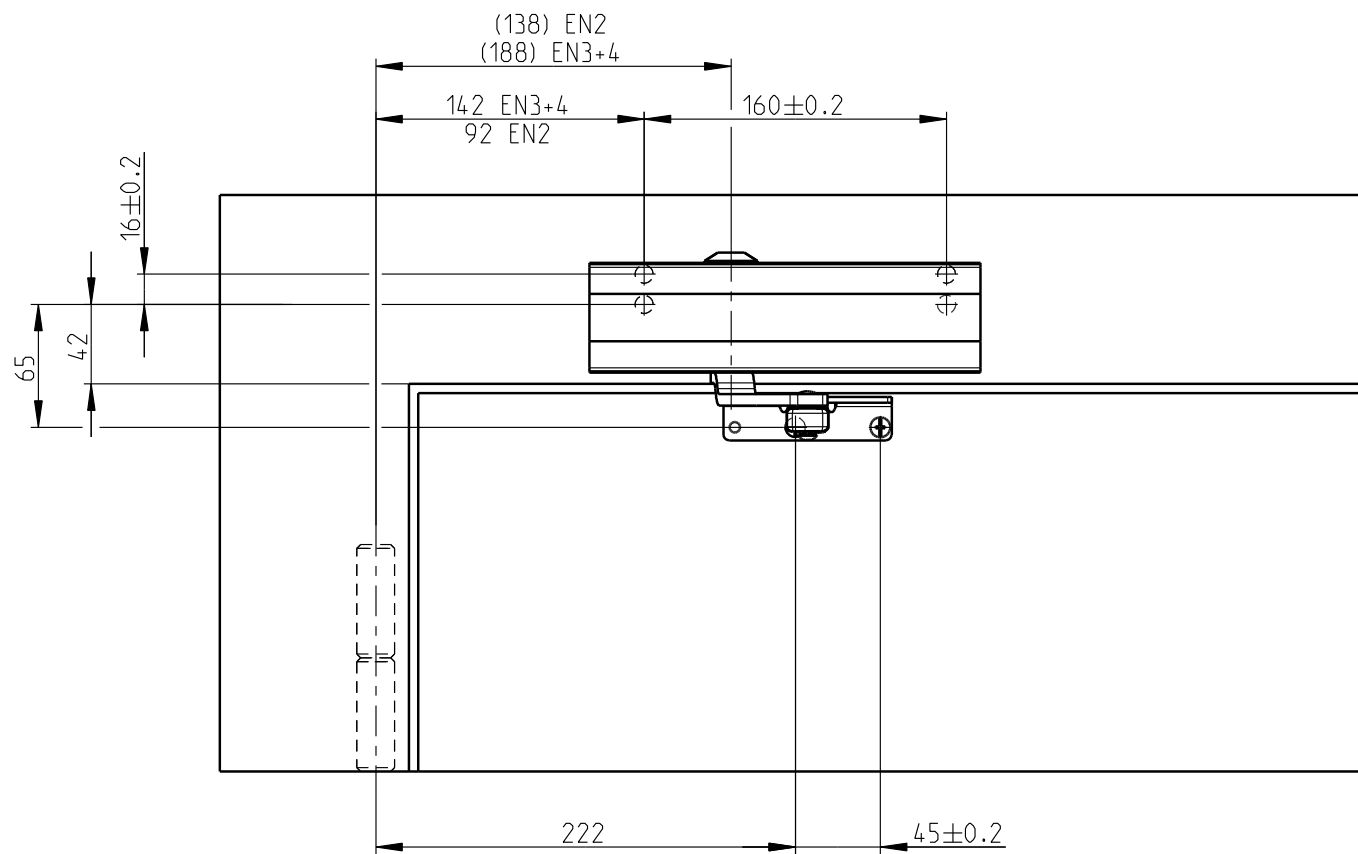
Beachte:

Für eine sichere Befestigung ist der Fachbetrieb bzw. der Monteur verantwortlich. Bei Brandschutztüren sind die entsprechenden Vorschriften und Zulassungen zu beachten.

Description

OTS 210
Kopfmontage Bandgegenseite
Profil: Neutral

| | | | | | | | |
|--------------------|--------------------|-------|------------|----|-------|-----------------------|-------|
| | Release No. | Level | Released | | Scale | Modification | Size |
| | -- | Ver. | -- | Wi | | | |
| | Mod. No. G27572 | Draft | 08.09.2011 | La | | Drawing No. | Sheet |
| Replacement for -- | | | | | | 0-45617-PU-0-0 | 1/2 |



| Pos. | Benennung | Art.-Nr. | St. | Bemerkung |
|------|---------------------------------------|------------|-----|-----------|
| 1 | *OTS 210 ohne Gestänge | K-15710-01 | 1 | |
| 1-2 | *OTS 210 mit Normalgestänge | K-15710-00 | 1 | |
| 2 | *Feststellgestänge OTS 210 mechanisch | K-17456 | 1 | |
| 3 | Montageplatte | K-15714 | 1 | |
| | Bohrlehre | K-17805 | | |

Hinweis:

* nicht an Brandschutztüren verwendbar

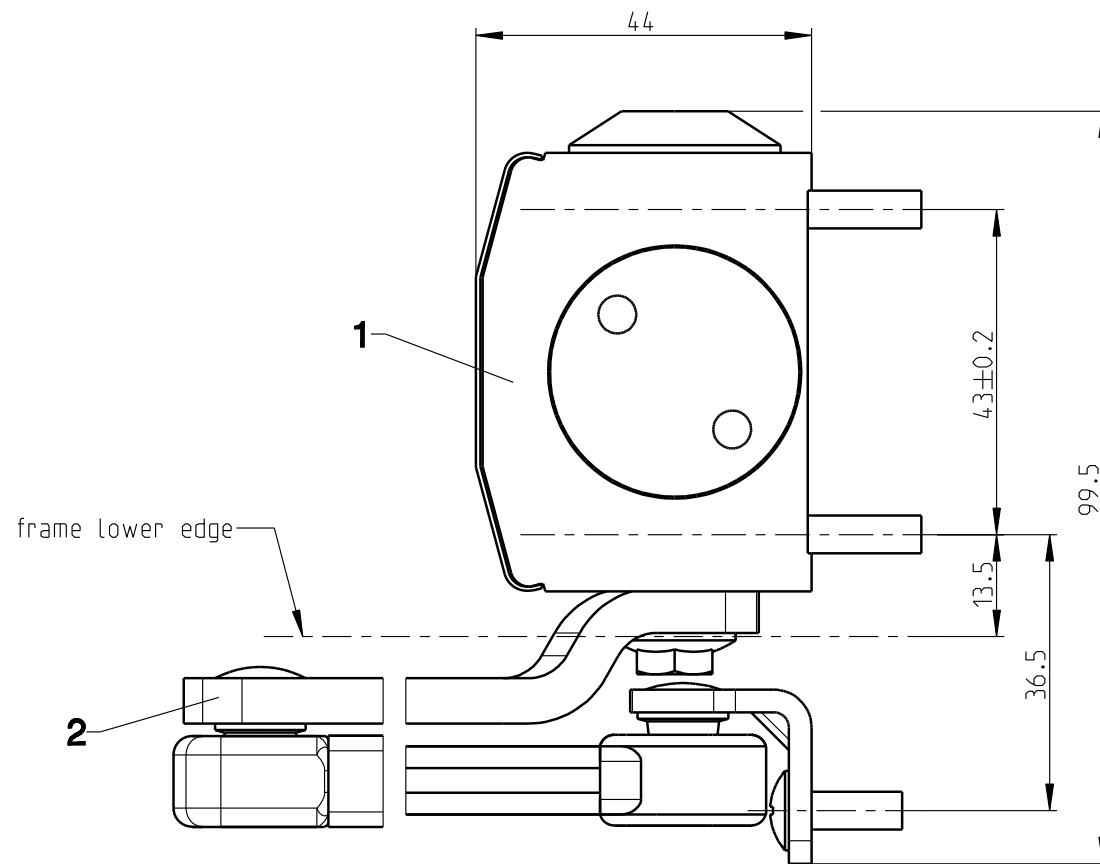
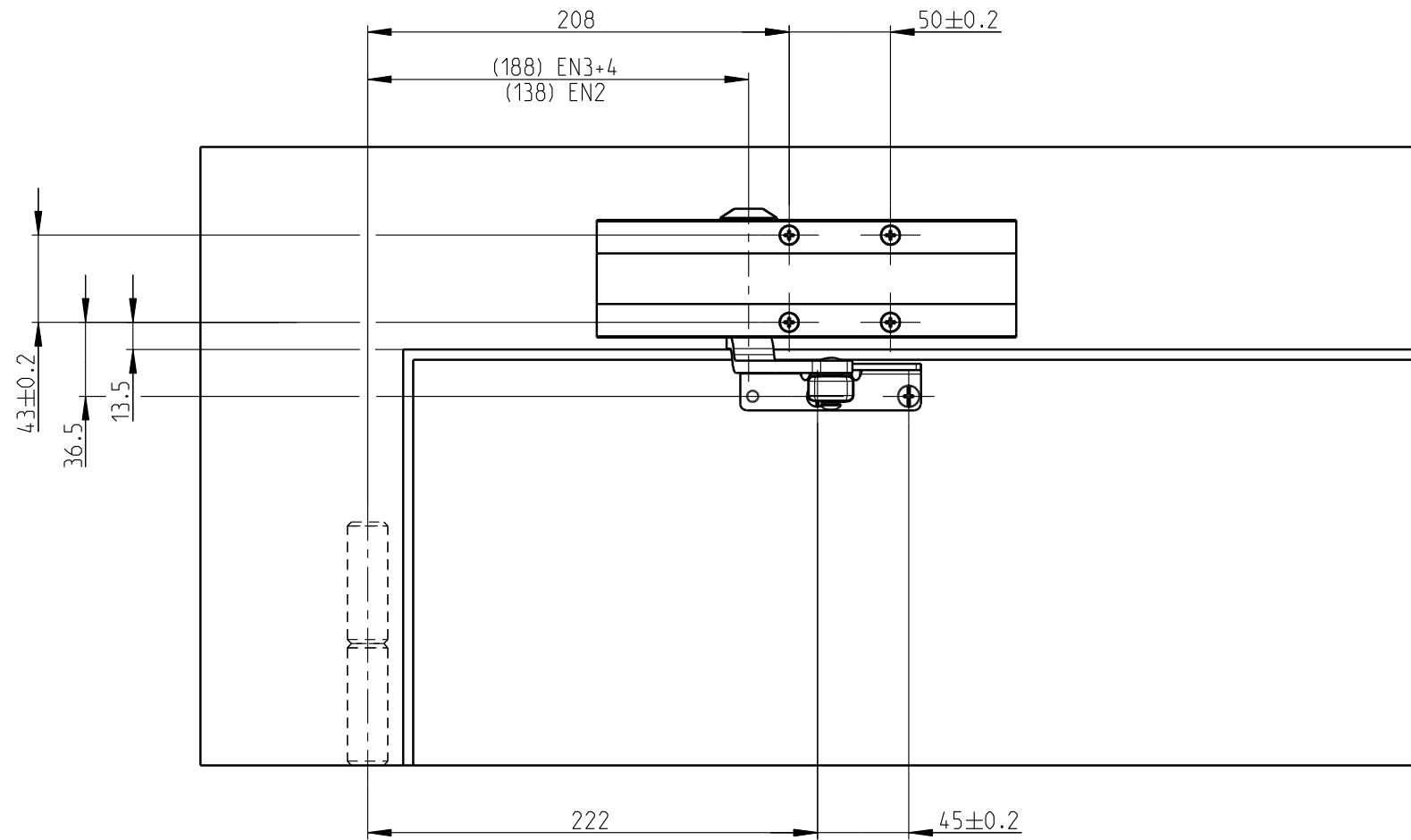
Beachte:

Für eine sichere Befestigung ist der Fachbetrieb bzw. der Monteur verantwortlich. Bei Brandschutztüren sind die entsprechenden Vorschriften und Zulassungen zu beachten.

Description

OTS 210
Kopfmontage Bandgegenseite , mit Montageplatte
Profil: Neutral

| | | | | | | | |
|--------------------|--------------------|-------|------------|----|-------|-----------------------|------------|
| | Release No. | Level | Released | | Scale | Modification | Size |
| | -- | Ver. | -- | Wi | | | |
| | Mod. No. G27572 | Draft | 08.09.2011 | La | | Drawing No. | Sheet |
| Replacement for -- | | | | | | 0-45617-PU-0-0 | 2/2 |



| Item | Description | Article no. | Qty. | Remark |
|------|-----------------------------------|-------------|------|--------|
| 1 | *OTS 210 without arm | K-15710-01 | 1 | |
| 1-2 | *OTS 210 with standard arm | K-15710-00 | 1 | |
| 2 | *Hold-open arm OTS 210 mechanical | K-17456 | 1 | |
| | Drilling jig | K-17805 | | |

Indication:

* not for use on fire doors

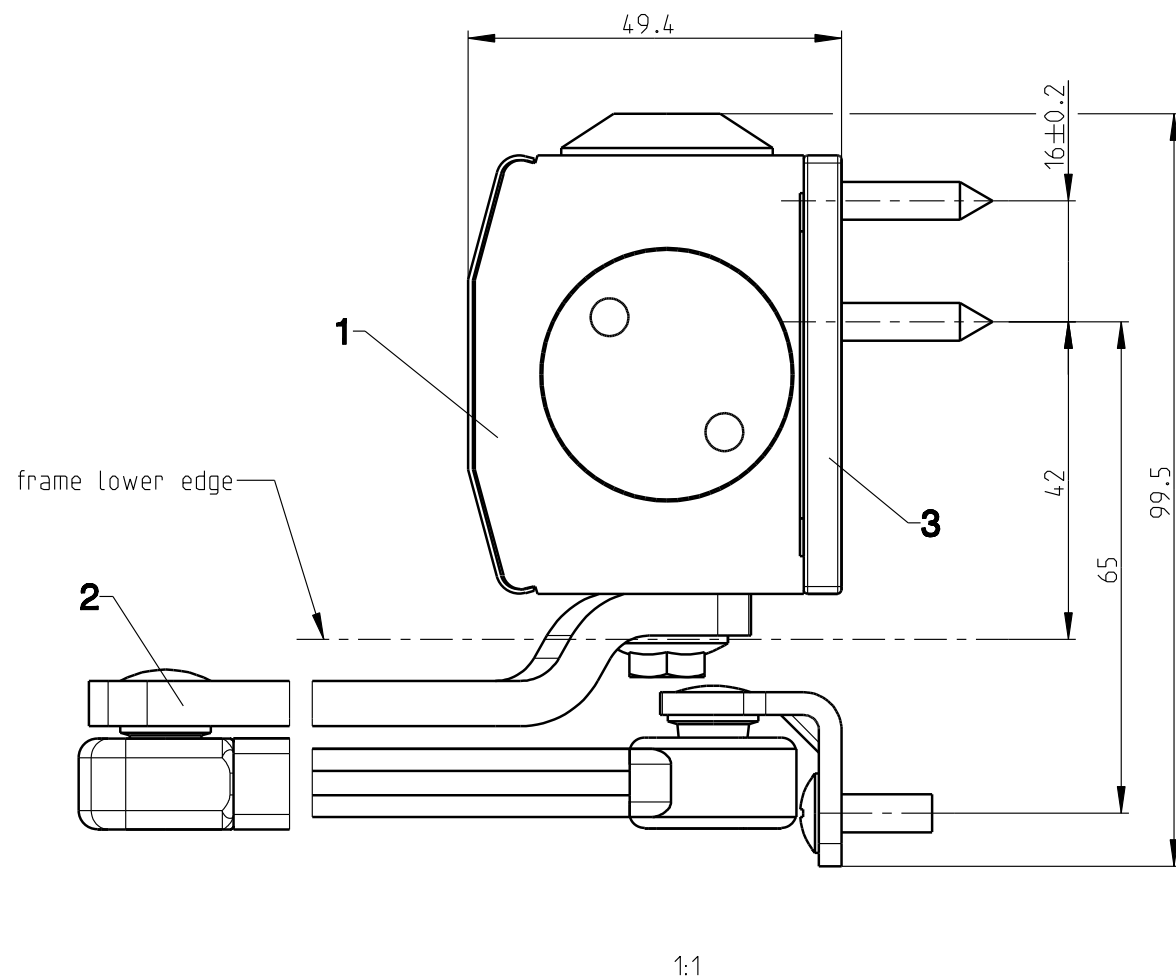
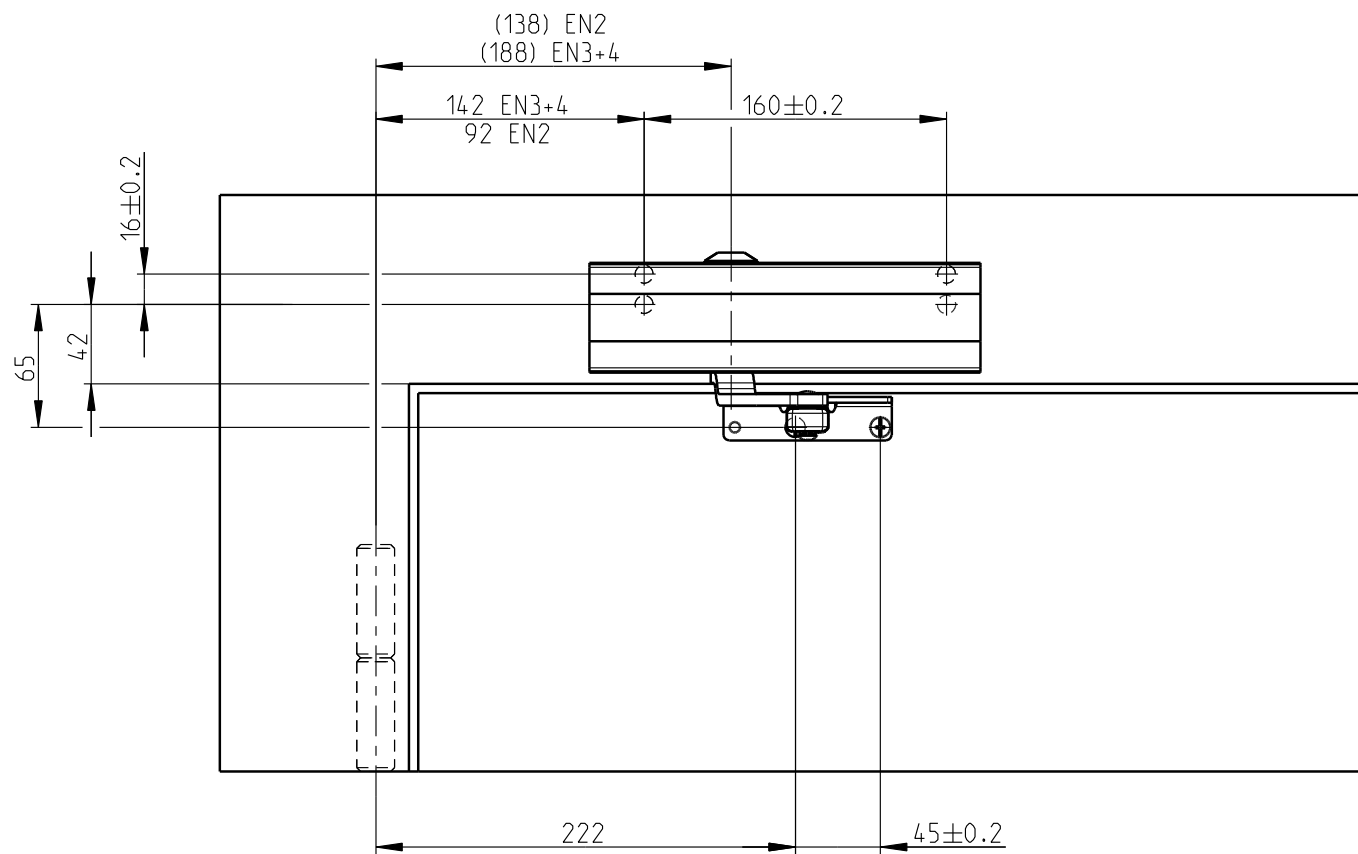
Notice:

The installer is responsible for the secure fastening of the door closer. If mounted on fire doors, the appropriate directives and approvals must be observed.

Description

OTS 210
Transom mounting opposite to hinge side
Profile: neutral

| | | | | | | | |
|--------------------|--------------------|-------|------------|----|-------|------------------------|-------|
| | Release No. | Level | Released | | Scale | Modification | Size |
| | -- | Ver. | -- | Wi | | | |
| | Mod. No. G27572 | Draft | 08.09.2011 | La | | Drawing No. | Sheet |
| Replacement for -- | | | | | | 0-45617-PU-0-GB | 1/2 |



| Item | Description | Article no. | Qty. | Remark |
|------|-----------------------------------|-------------|------|--------|
| 1 | *OTS 210 without arm | K-15710-01 | 1 | |
| 1-2 | *OTS 210 with standard arm | K-15710-00 | 1 | |
| 2 | *Hold-open arm OTS 210 mechanical | K-17456 | 1 | |
| 3 | Mounting plate | K-15714 | 1 | |
| | Drilling jig | K-17805 | | |

Indication:

* not for use on fire doors

Notice:

The installer is responsible for the secure fastening of the door closer. If mounted on fire doors, the appropriate directives and approvals must be observed.

Description

OTS 210
Transom mounting opposite to hinge side , with mounting plate
Profile: neutral

| | | | | | | | |
|--------------------|--------------------|-------|------------|----|-------|------------------------|------------|
| | Release No. | Level | Released | | Scale | Modification | Size |
| | -- | Ver. | -- | Wi | | | |
| | Mod. No. G27572 | Draft | 08.09.2011 | La | | Drawing No. | Sheet |
| Replacement for -- | | | | | | 0-45617-PU-0-GB | 2/2 |