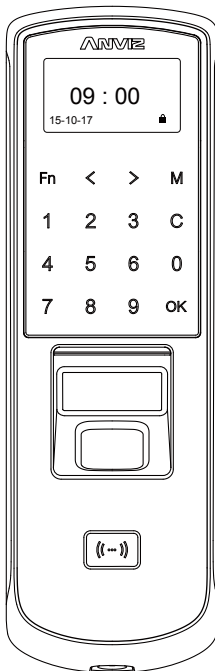


P7

PoE-Touch Fingerprint and RFID Access Control

Quick Guide v1.0



www.anviz.com

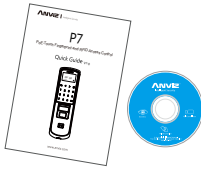
The products are subject to change without notice.

Package List

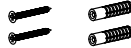
1 Reader



2 Instruction Package



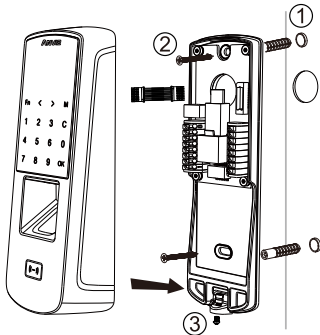
3 Accessory Package



4 Connector Jack



Installation Diagram



Installation Step

- 1 Drill holes in the wall follow the hole position on back panel
- 2 Install and fix back panel on the wall, connect related cables
- 3 Slide the P7 onto the panel and secure with the screw on the bottom of P7

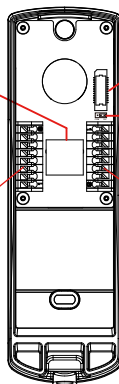
Wiring Instruction



Power Over Ethernet & TCP/IP Communication Port

J1

PIN	Mark	Description
8	12I	DC 12V Input
7	GND	GND
6	D/S	Door Switch
5	D/M	Door Monitor
4	GND	GND
3	NO	NO
2	COM	COM
1	NC	NC



Connection Cable

Connect the front part of device

Relay State

COM	12V	J1	1 6 NO	2 7 COM	3 8 NC	Select either 12 volt out on COM or voltage free contact.
COM	12V	J1	1 6 DC12V	2 7 COM	3 8 DC12V	

J2

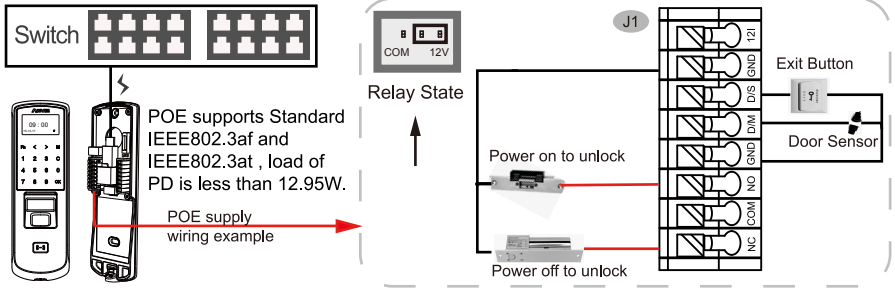
PIN	Mark	Description
1	WI0	Wiegand 0 Input
2	WI1	Wiegand 1 Input
3	GND	GND
4	R4A	RS485A
5	R4B	RS485B
6	GND	GND
7	WO0	Wiegand 0 Output
8	WO1	Wiegand 1 Output



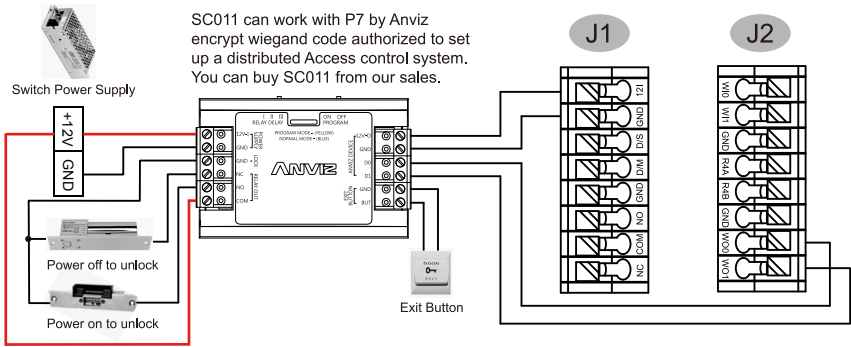
Important notice: Please follow the wiring diagram as it is displayed. Damaged products due to improper wiring are not covered by product warranty.

Power Over Ethernet Supply

Power Over Ethernet provide device network communication and the power is enough for both device and lock working. Total load should not exceed 12.95W when using POE supply for P7 and directly drive the electric lock to prevent damage to P7.

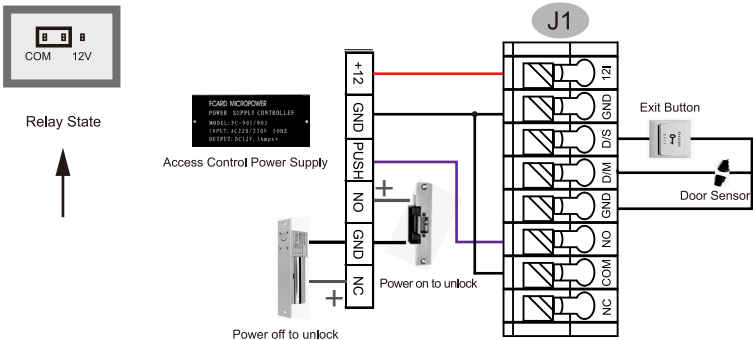


Access Control Reader & SC011

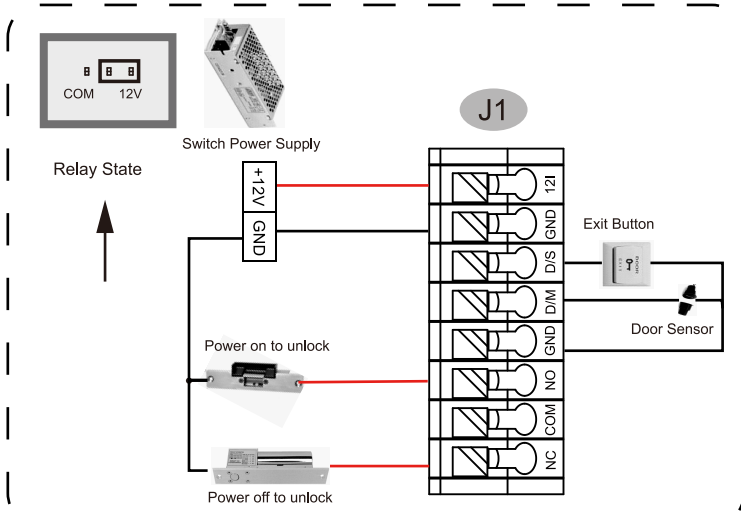


SC011 can work with P7 by Anviz encrypt wiegand code authorized to set up a distributed Access control system. You can buy SC011 from our sales.

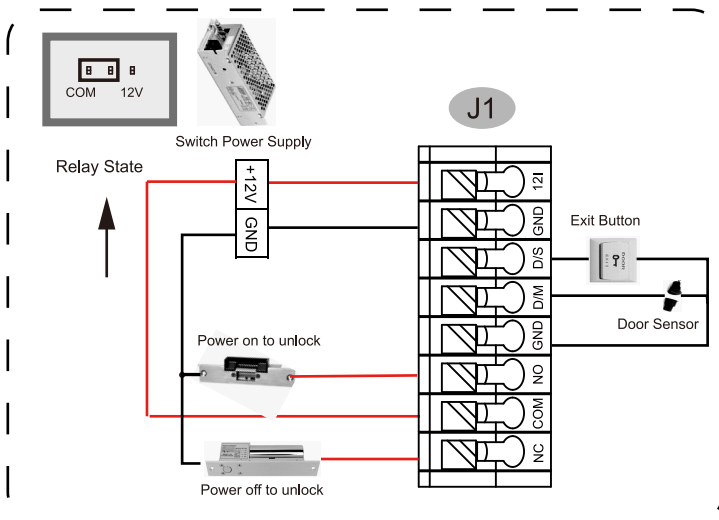
Access Control Reader & Access Control Power Supply



Access Control Reader & Switching Power Supply

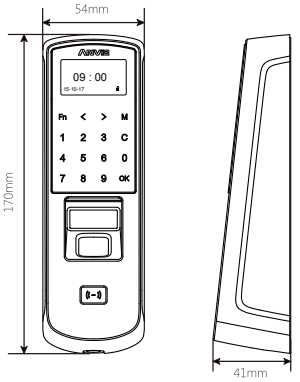


Use the following wiring is recommended to prevent damage to the access control when load is large.



Getting to Know the P7

Menu List

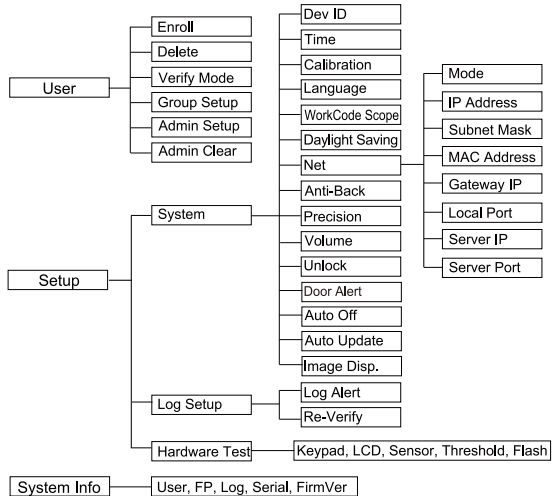


Front View Side View

Keypad Instruction:

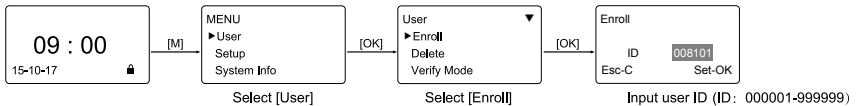
Keypad	Function
Fn	Workcode Setup Key
<	Up Key
>	Down Key
M	Menu Key
C	Exit/Cancel Key
0-9	Num. Keys: Enter Employee ID or Password
OK	Confirm Key/Power Key

Press [M] key to enter system management menu. (This requires the administrator authorization if there is admin registered in the system.) Menu List:

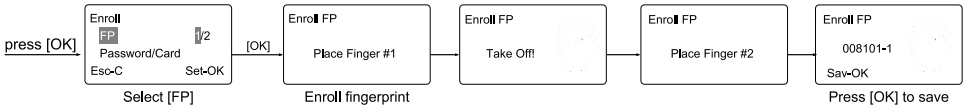


Operation Guide

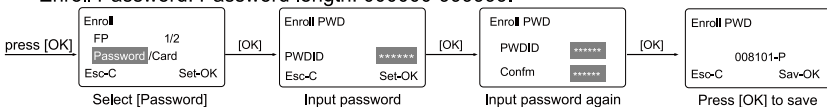
1 Enroll User: Each user can register two fingerprints, one password and one RFID card.



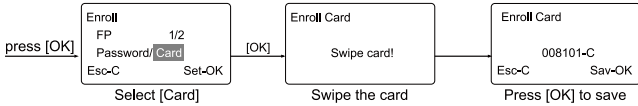
• Enroll Fingerprint: Place the same finger on the sensor twice in a row to enroll fingerprints.



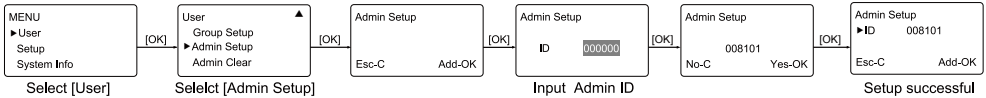
• Enroll Password: Password length: 000000-999999.



- **Enroll Card:**



2 **Admin Setup:** Admin(Administrator) has full access permissions to the device. It is recommended to assign a minimum of two administrators to each unit.



Other Setup

[M]--User--Verify Mode:

Item	Explanation
ANY	Fingerprint only, Card only or ID+Password only
ID+FP	Enter the user ID first then verify the fingerprint
RF+PW	It requires both Card and Password verification together
PW+FP	It requires both Password and Fingerprint verification together
RF+FP	It requires both Card and Fingerprint verification together
Factory default setting	ANY

[M]--User--Group Setup:

Item	Explanation
G00	The user in Group00 can not open the door
G01	The user in Group01 can open the door anytime
G02-16	It is according to the Group & Time zone setting which can be set through the software
Factory default setting	G01

Tips: Group setup is used for managing the access control privileges. Each group can contain 4 time zones.

[M]--Setup--System--Dev ID:

Item	Explanation
NULL-99999999	Device ID of the unit which is required in software communication
Factory default setting	1

Tips: It doesn't allow duplicate Device ID in one LAN. Otherwise, it will cause software communication error. Then ID as "NULL" must adopts last 8 digit of the serial number for software communication.

[M]--Setup--System--WorkCode Scope:

Item	Explanation
0-999999	Valid scope for the Workcode
Factory default setting	Max 999999 Min 0

Tips: WorkCode indicates the work type , easily distinguishes which attendance record is related to which work type.

[M]--Setup--System--Net:

Item	Explanation	Factory default setting
Mode	TCP/IP Server mode: Common network mode TCP/IP Client mode: Only communicate with the PC which has static IP	Client Mode
IP Address	Set terminal IP address when communication of TCP/IP, IP address must be a static IP address	192.168.0.0,218
Subnet Mask	Subnet Mask of the LAN	255.255.255.000
MAC Address	Unique Physical address of the network mouldle. This setting can not be modified.	
Gateway IP	Default Gateway of the LAN	192.168.0.0,001
Server IP	The IP address of the Sever Machine when using Client Mode TCP/IP communication.	192.168.0.0,007
Server Port	It's the Software Port number used when the read is configured for TCP/IP communication	5010

[M]--Setup--System--Unlock:

Item	Explanation
1-15	The duration of the audible alarm to notify employees of events. (Lunch, break, Off Duty)
No	It generates a door close signal immediately after it generates the door open signal
Factory default setting	5

Language:

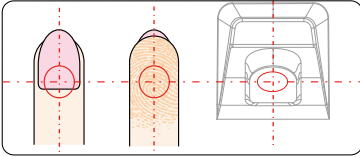
Item	Explanation
Languages	Contains the following four of the 13 languages: ENG(English), FRCH(French), GERM(German), SPAN(Spanish),PTG (Portuguese), ITA(Italian), BULG(Bulgarian), HUNG(Hungarian), SLVN (Slovenian), TURK(Turkish), POL(Polish), RUS(Russain), CRO(Croatian)
Factory default setting	Related Language

Door Alert:

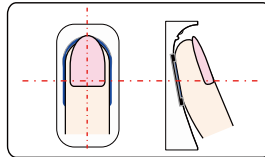
Item	Explanation
1-99	It generates the door open alarm signal if the door open time is longer than the preset value
No	Disable the door open alarm
Factory default setting	No

Verify the Fingerprint

■ Correct method :

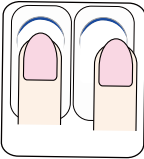


Place finger in the center of the sensor.

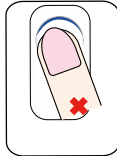


Place finger flatly and smoothly on the sensor.

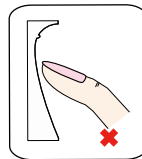
■ Incorrect method :



Finger not placed on the center of the sensor



Finger placed inclined



Use of fingertip

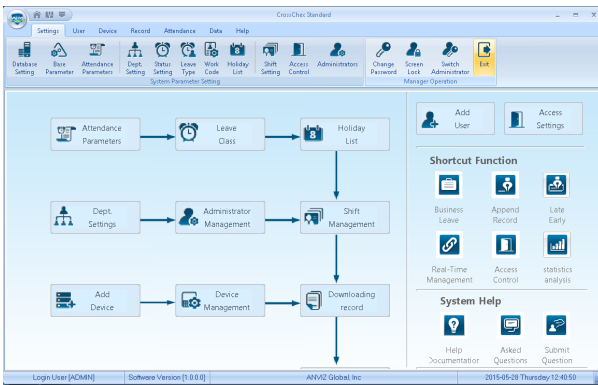
Note:

1. It is better for each user to register two finger prints in case of one finger can't work.
2. Place finger flat and make sure the center of the finger is on the center of scanner window and press a little hard on scanner, so it can scan as large finger area as possible to extract enough minutia.
3. Keep the angle and direction of finger the same each time placing on scanner.
4. If your finger has sweat or water, please dry it first and then register the finger.
5. If your finger is too dry, make it a little wet or touch the forehead to increase the wetness of the finger, press a little hard on scanner. (The dry finger can cause the finger image not coming out clear enough.)
6. Avoid the callus, peeling, or injury of the finger to ensure the register and identification successful.
7. You can register the thumb first, and then index finger or middle finger to increase the precision.

Working with Management Software

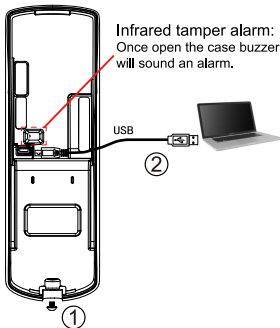
1. Install the Management Software on Computer

Put the CD in the management computer. The installation program will run automatically.



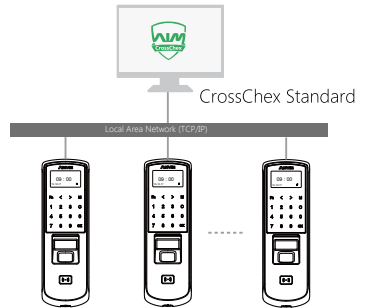
How to connect P7 with Software?

1st Method: Mini USB



- ① Loosen the screw on the bottom of P7, then pull up the front case, separate from the back panel
- ② Connect the USB cable between P7 and the PC which has the software installed

2nd Method: Connect P7 to Network



2. Enable Communication between P7 and the Management Software CrossChex

- * Turn on management software CrossChex
- * Go to Device tab. Search and Add the P7 to management software CrossChex
- * Click Synchronize Time button to communicate with P7. If Synchronize is successful, the device icon will turn to blue

3. The Management Software CrossChex Features

- * Device \ Backup User: Download user info from P7 to CrossChex
- * Device \ Download Records: Download records from P7 to CrossChex
- * User \ Modify: Edit name or other user info. Then click 'Upload User' to Upload user info to P7 device
- * Record \ Search: Search and view the records
- * Attendance: Calculate, Search results and Generate reports
- * Data \ Backup Database: Backup Database
- * Setting \ Shift: Set up Time Table and Scheduling
- * Device \ Device Parameter: Set up device, Clear records on P7 or Reset P7 to factory settings

Have a question? Please feel free to send emails to support@anviz.com to get support.