

SERVAL-SD-K

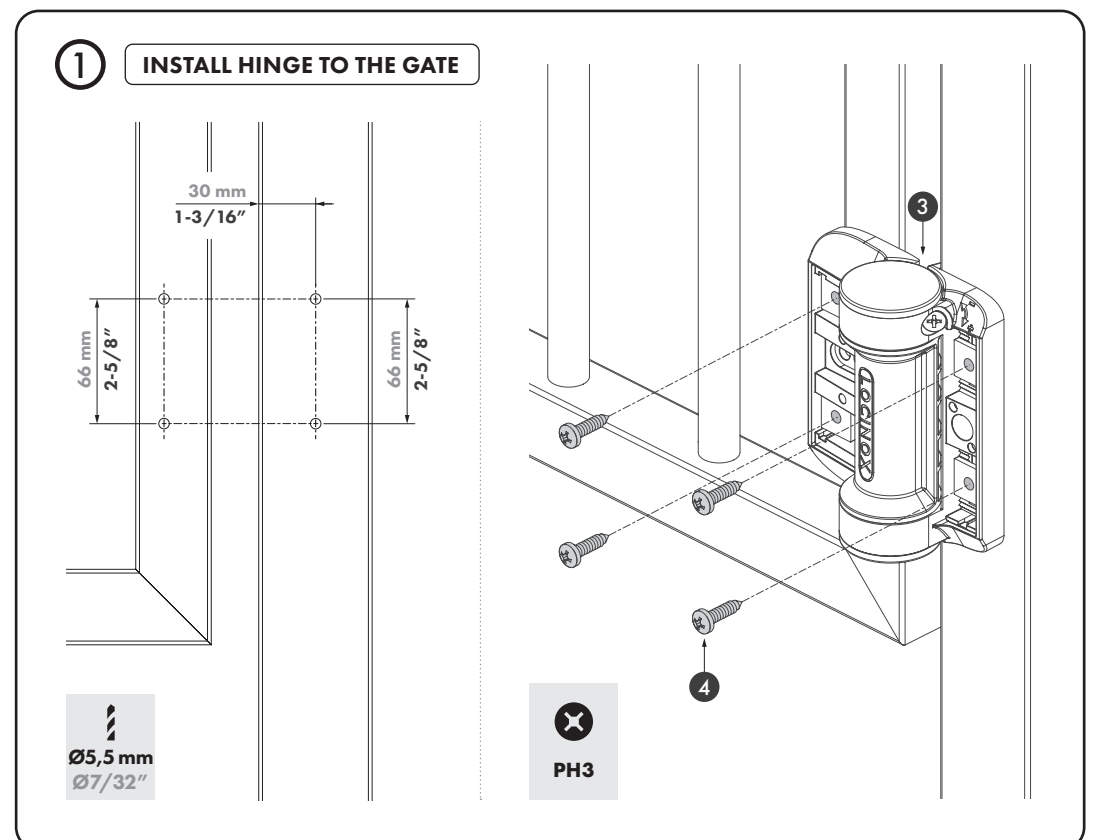
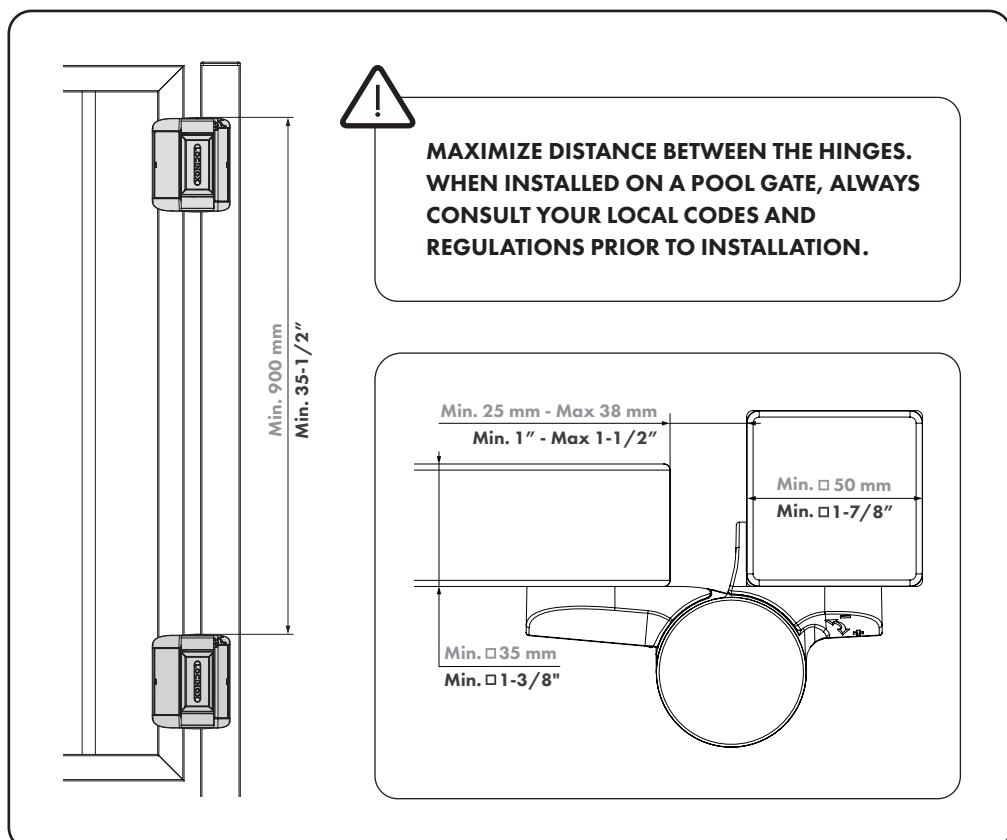
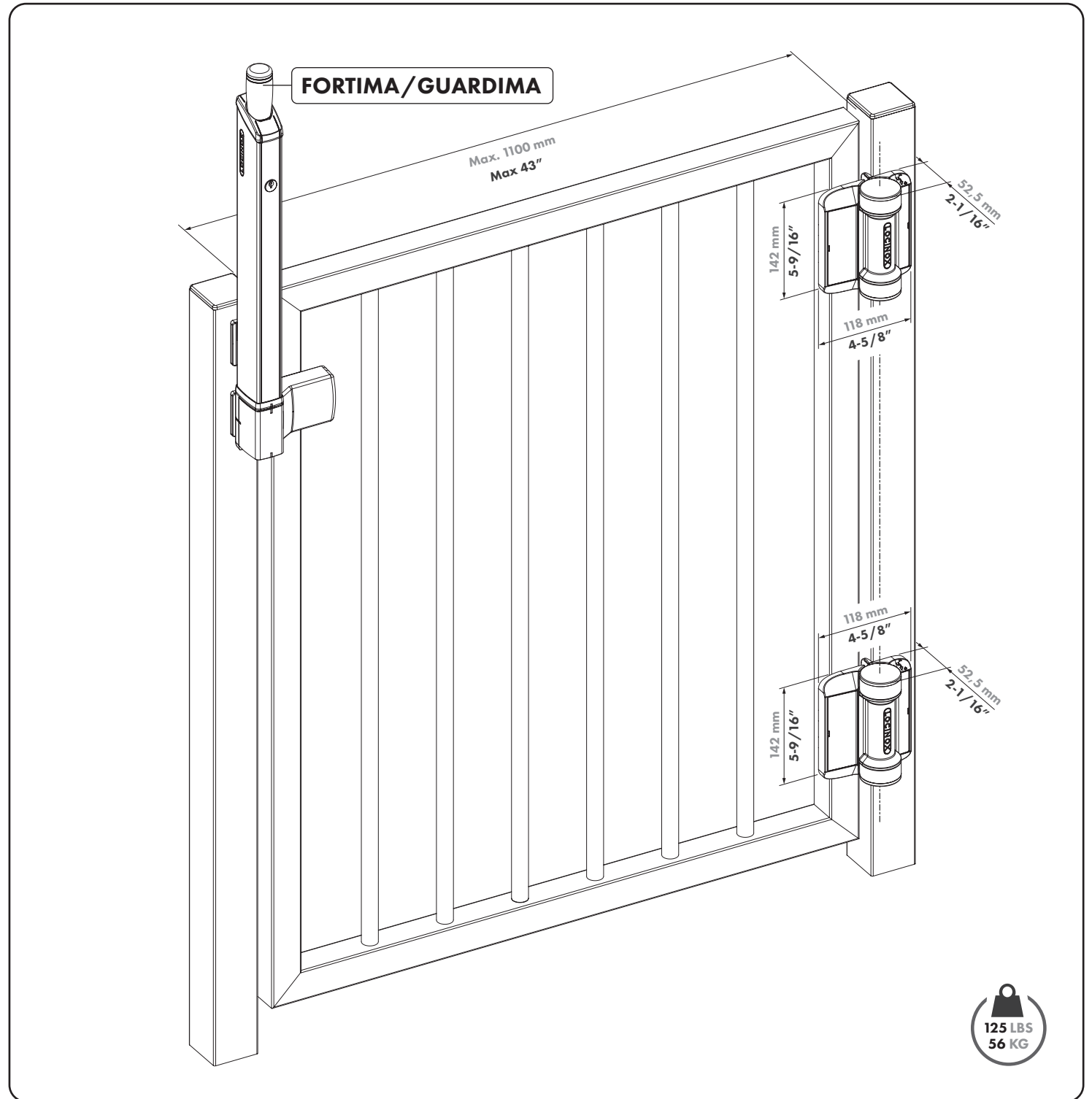
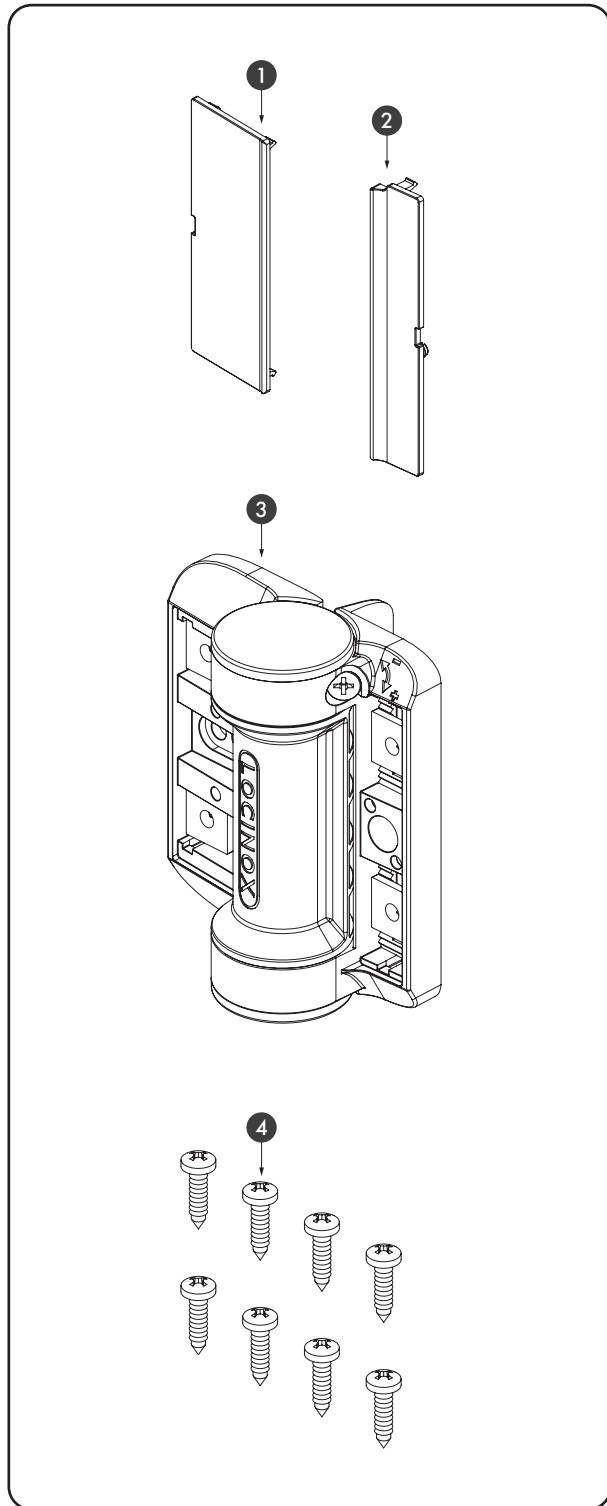


LOCINOX

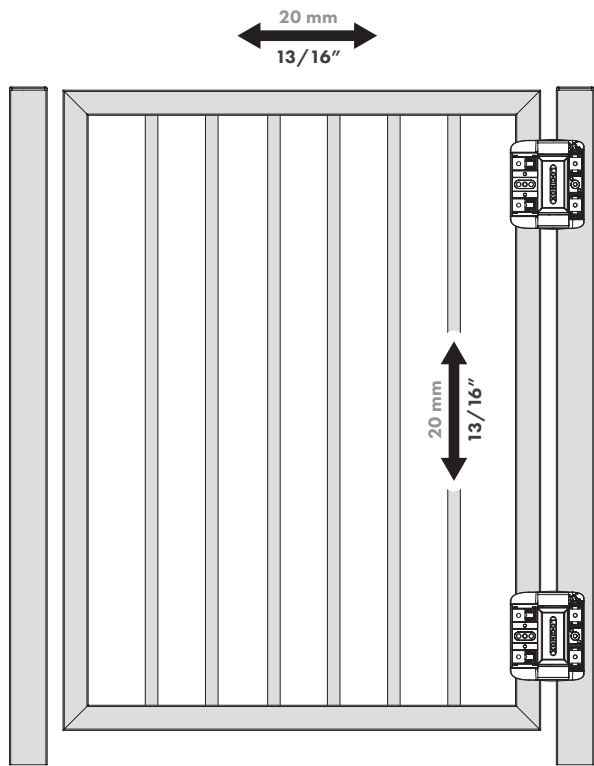
Let's make it better together

LOCINOX				LOCINOX USA			
www.locinox.com	help@locinox.com	BE-HQ: +32 56 77 27 66 PL-CEE: +48 717 58 21 09	www.locinox.com/serval	www.locinoxusa.com	helpusa@locinox.com	877-LOCINOX	www.locinoxusa.com/serval

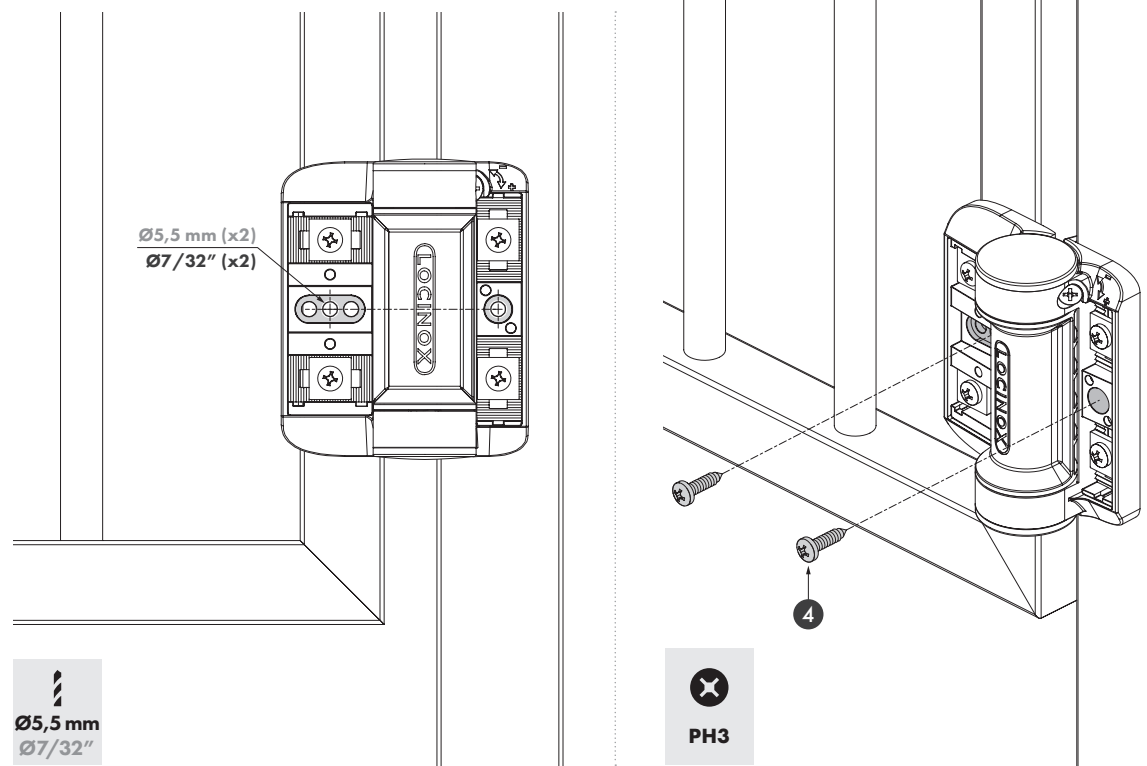
READ THE LIABILITY NOTICE CAREFULLY



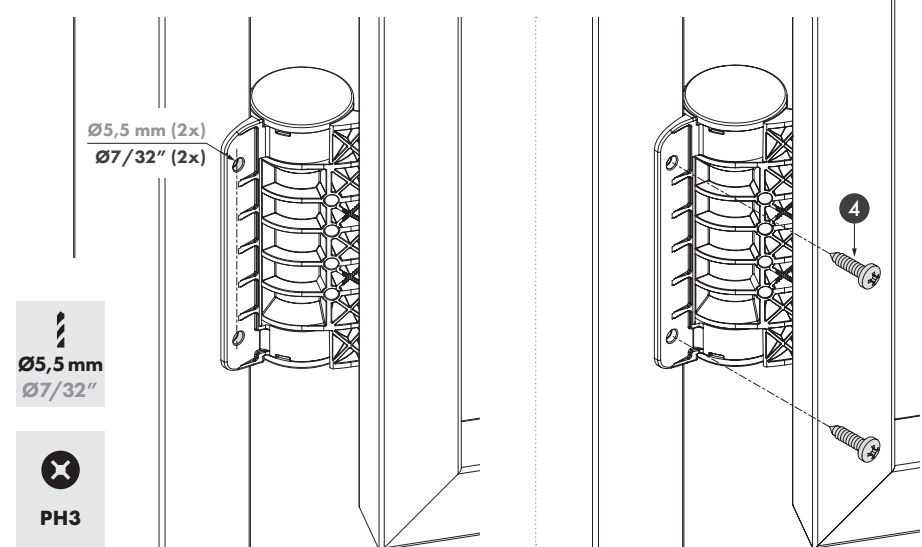
2 ADJUST POSITION OF THE GATE



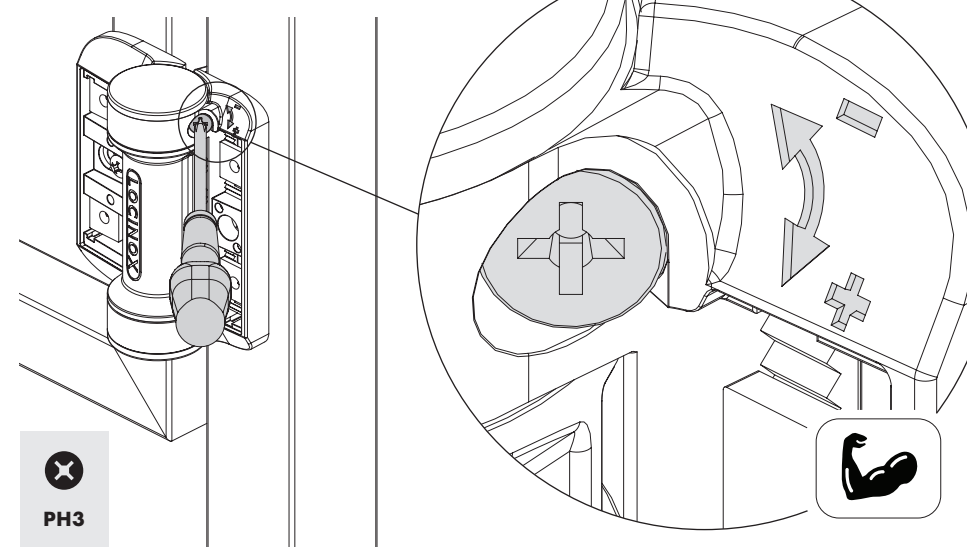
3 ADD 2 ADDITIONAL FIXATIONS IN THE FRONT



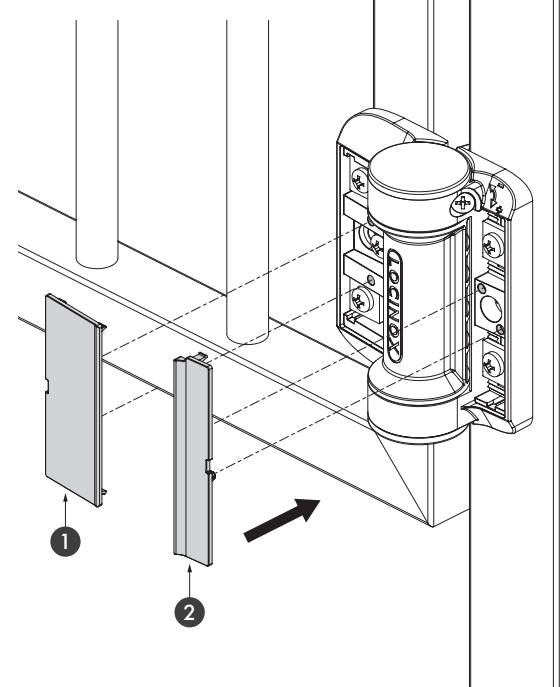
4 ADD 2 ADDITIONAL FIXATIONS ON THE SIDE OF THE FENCE POST



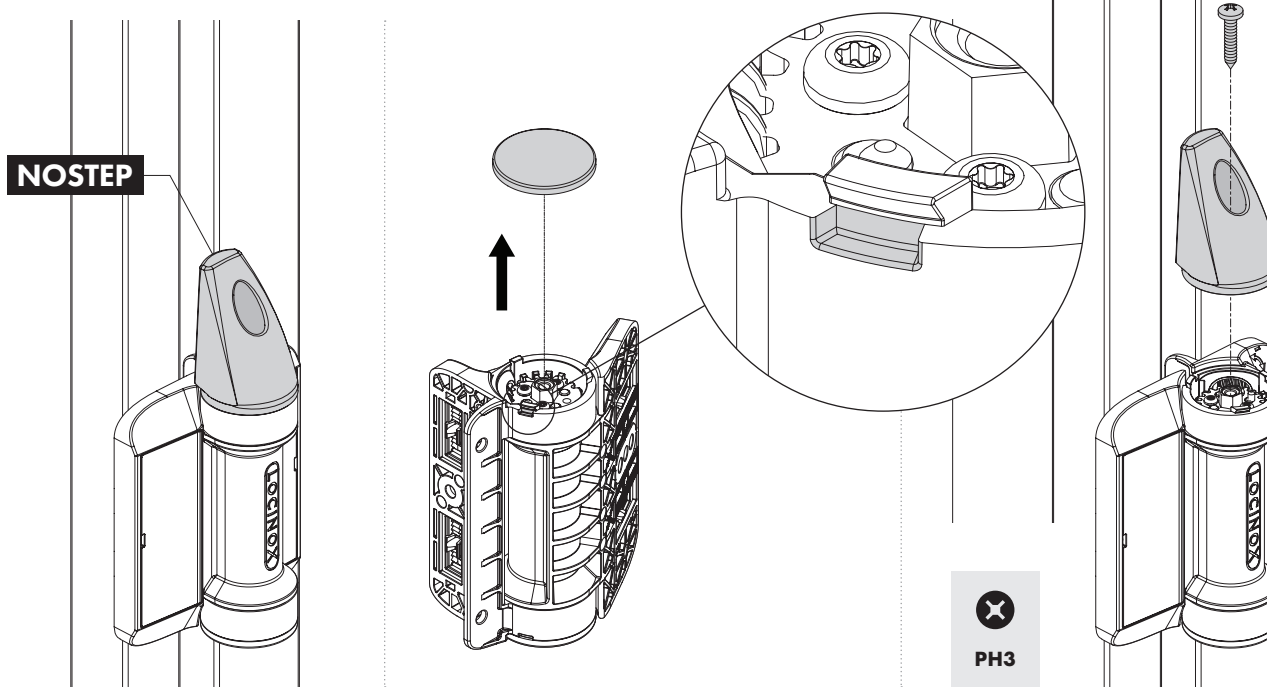
5 ADJUST TENSION FORCE



6 ADD SCREW COVERS



OPTIONAL INSTALLATION: NOSTEP PREVENTS HINGE BEING USED AS A FOOTHOLD





pictures@locinox.com

**SUCCESSFUL
INSTALLATION?**
 Please send us your
pictures & videos

**INSTALACION
EXITOSA?**
 Por favor envíenos
sus fotos y videos

**SUCCESSFUL
INSTALLATION?**
 Stuur gerust uw foto's
& video's door

**INSTALLATION
RÉUSSIE?**
 Veuillez nous envoyer
vos photos & vidéos

**ERFOLGREICHE
INSTALLATION?**
 Bitte senden Sie uns
Ihre Bilder & Videos

**UDANA
INSTALACJA?**
 Prześlij nam swoje
zdjęcia i filmy

**УСПЕШНАЯ
УСТАНОВКА?**
 Пожалуйста, отправьте нам
свой фотографии и видео

LOCINOX
 Let's make it better together

Doc. Nr.: MANU-000452

Locinox NV • Mannebeekstraat 21 • 8790 Waregem • Belgium
 Locinox CEE • Irysowa 9 • 55-040 Bielany Wrocławskie • Poland
 Locinox LLC • 460 Windy Point Drive • Glendale Heights - IL 60139 • USA



MANU-000452

SERVAL-SD-R

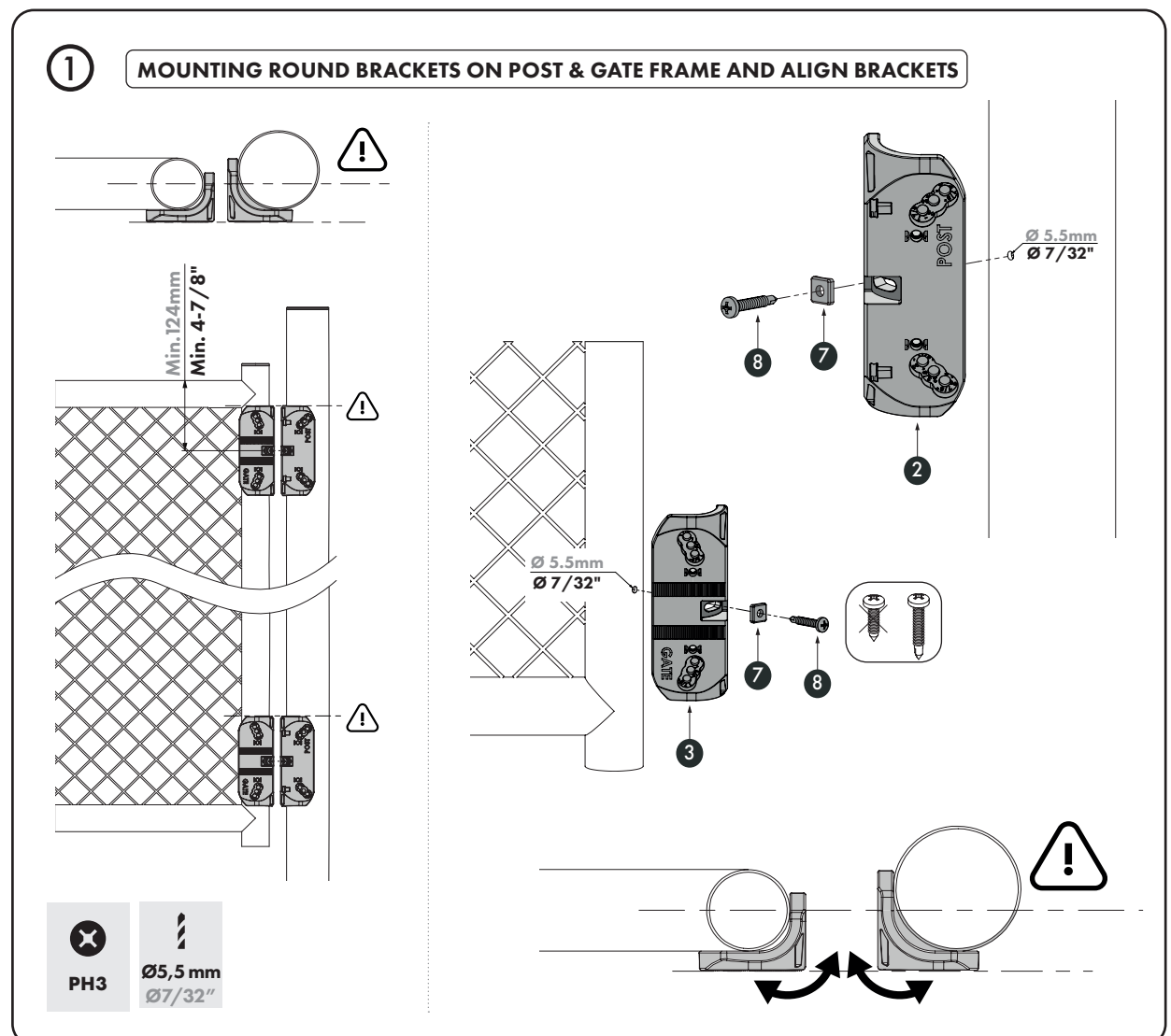
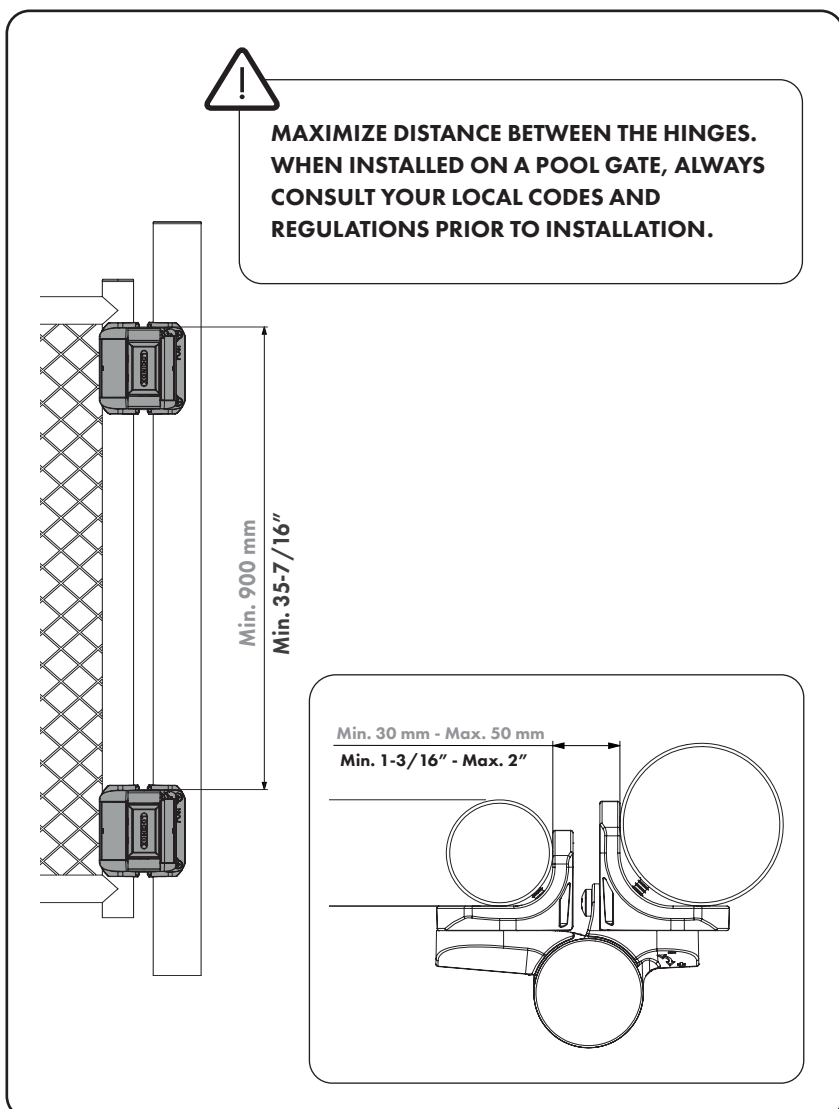
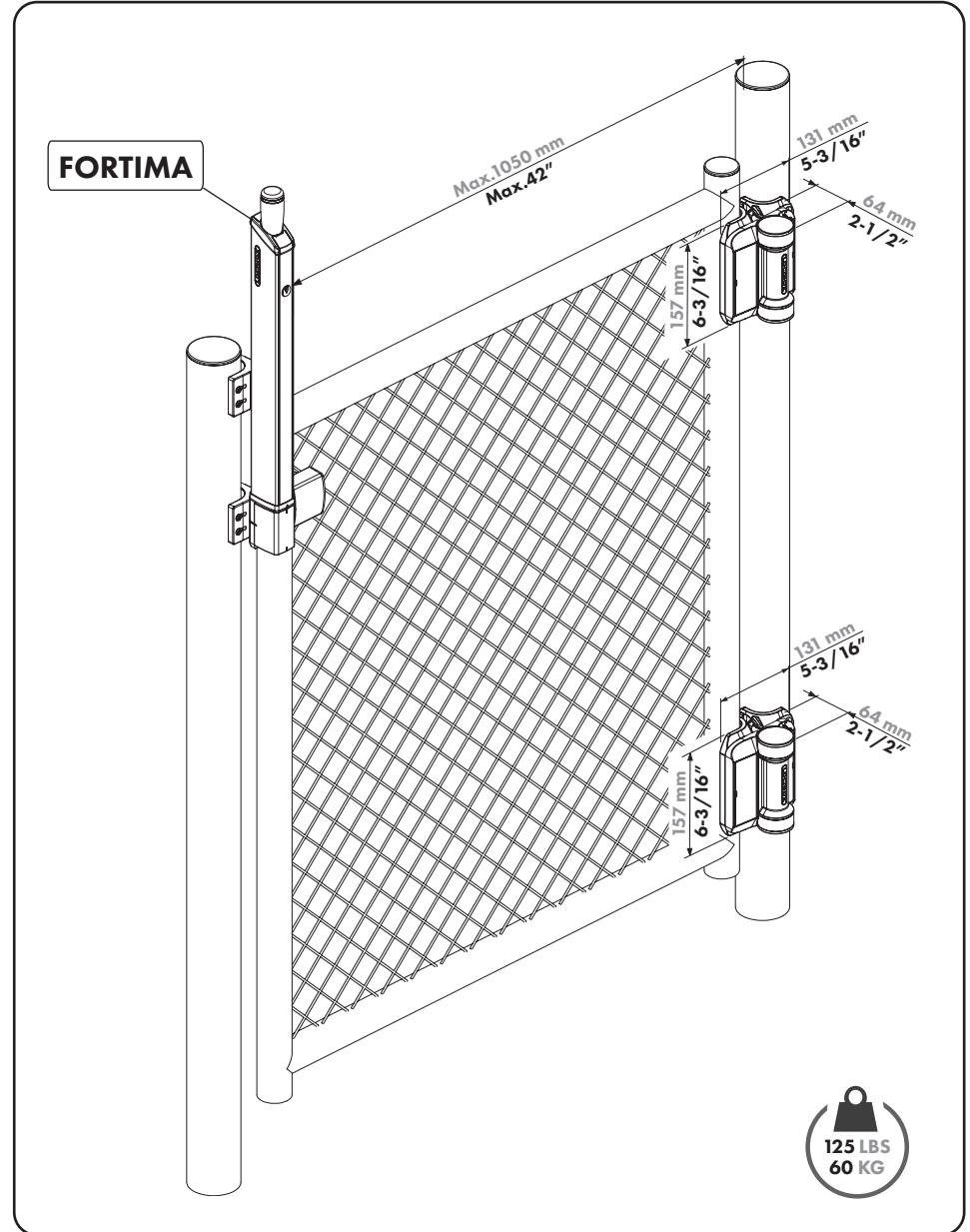
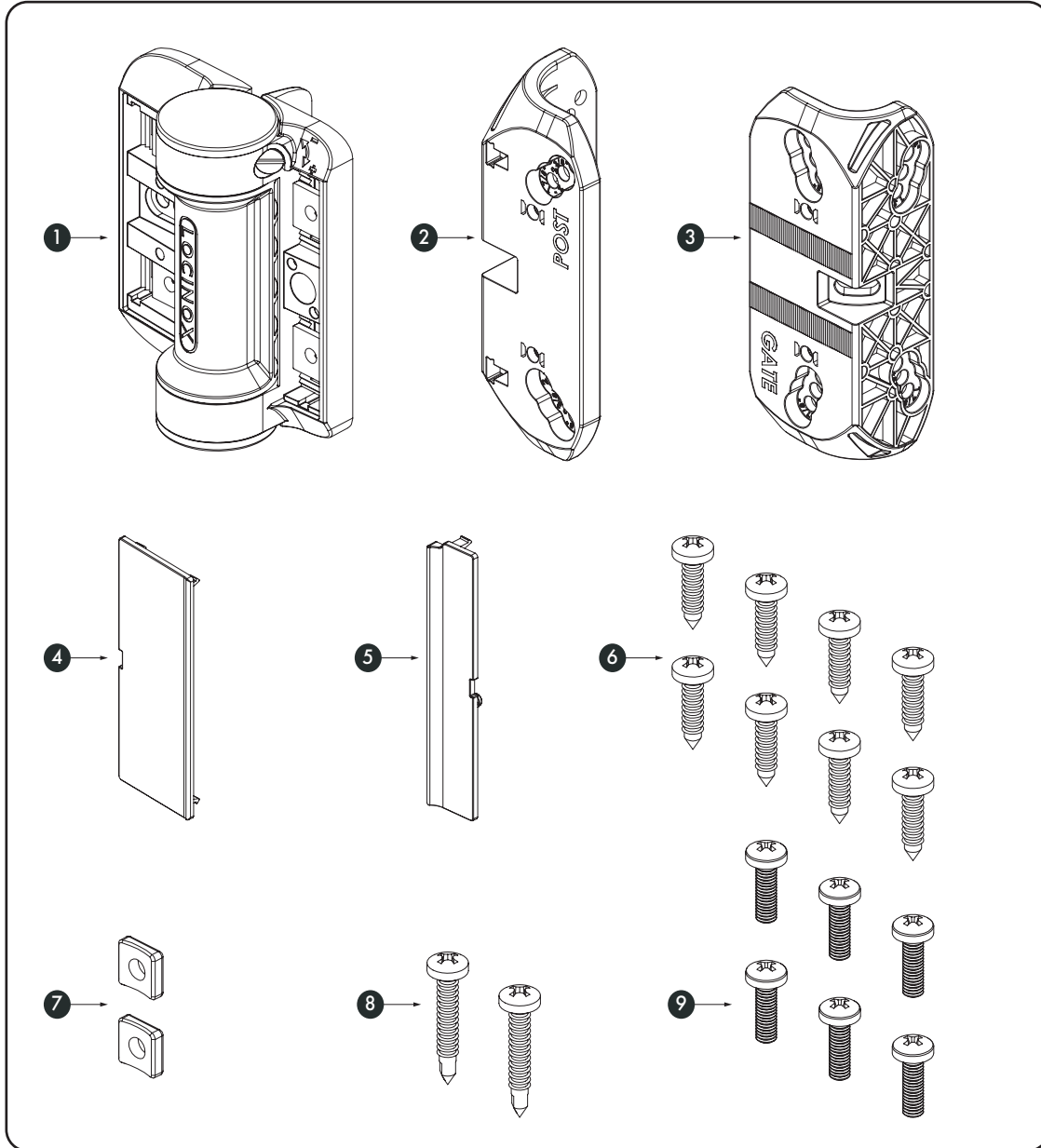
LOCINOX

Let's make it better together

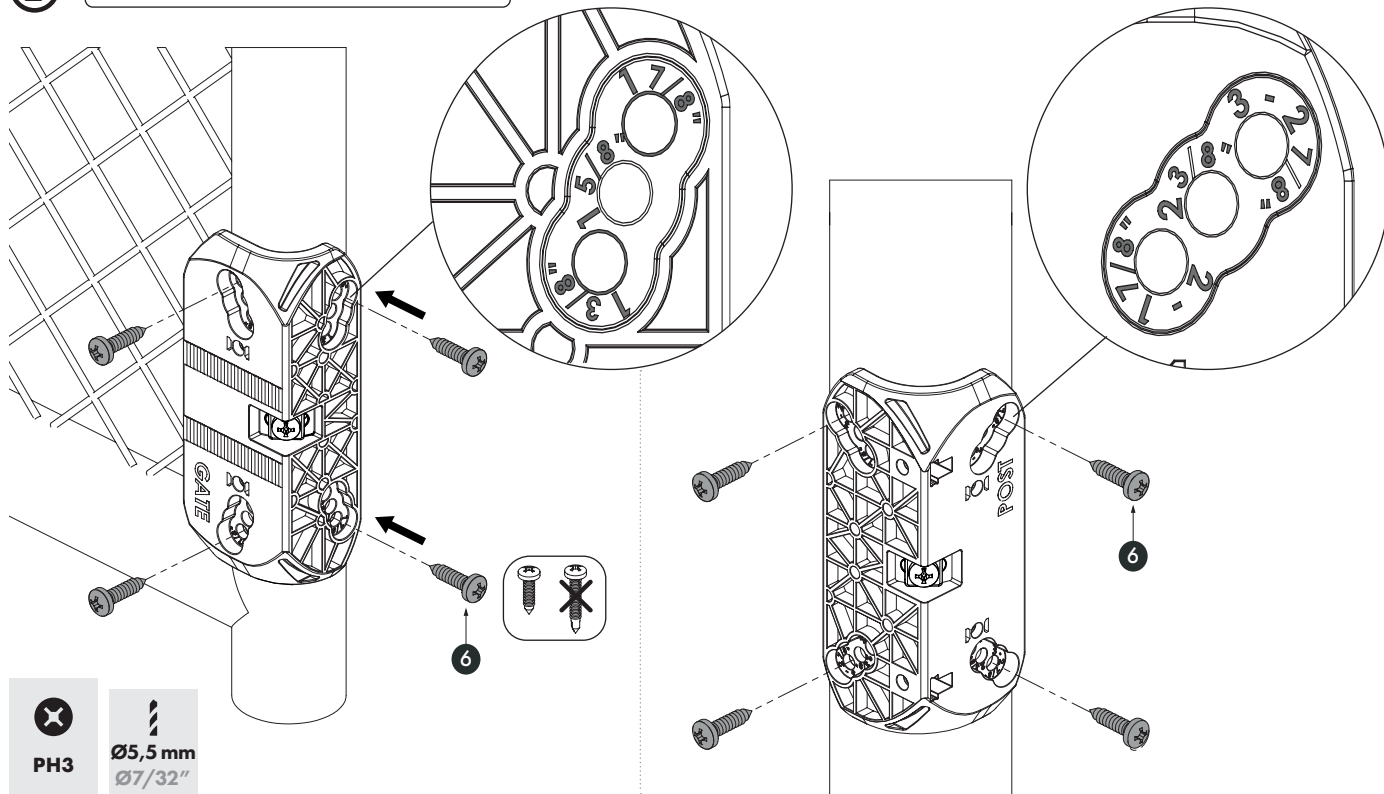


LOCINOX				LOCINOX USA			
www.locinox.com	help@locinox.com	BE-HQ: +32 56 77 27 66 PL-CEE: +48 717 58 21 09	www.locinox.com/serval	www.locinoxusa.com	helpusa@locinox.com	877-LOCINOX	www.locinoxusa.com/serval

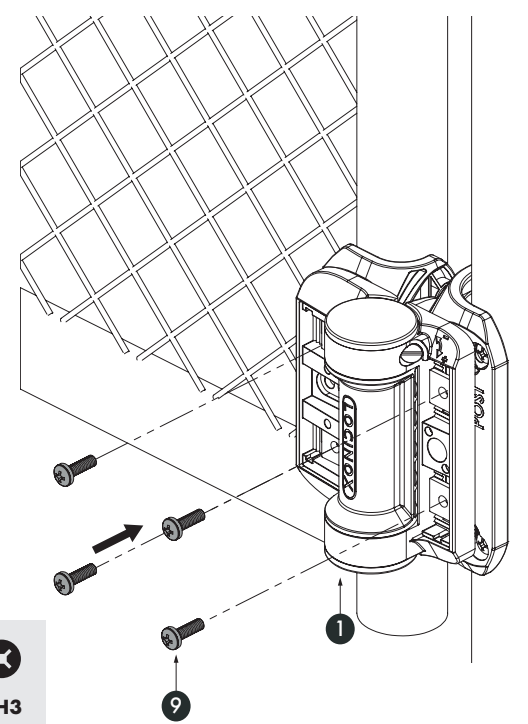
READ THE LIABILITY NOTICE CAREFULLY



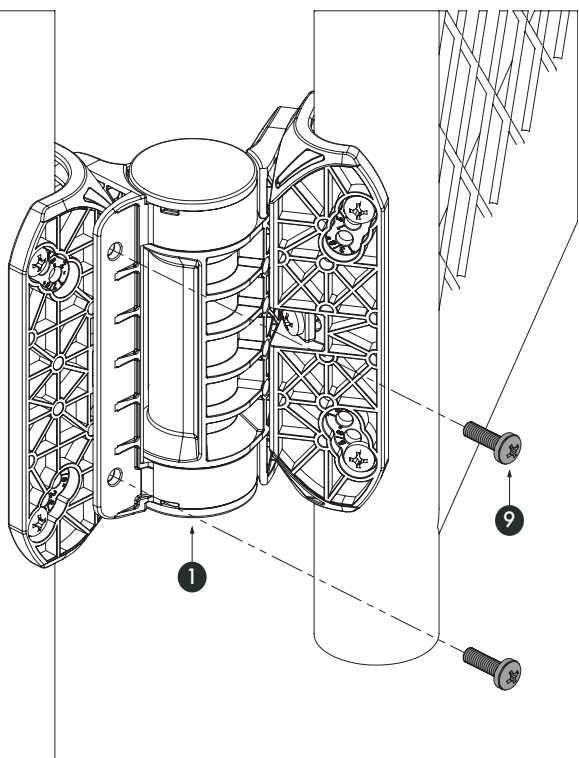
2 FIX BRACKETS WITH OTHER SCREWS



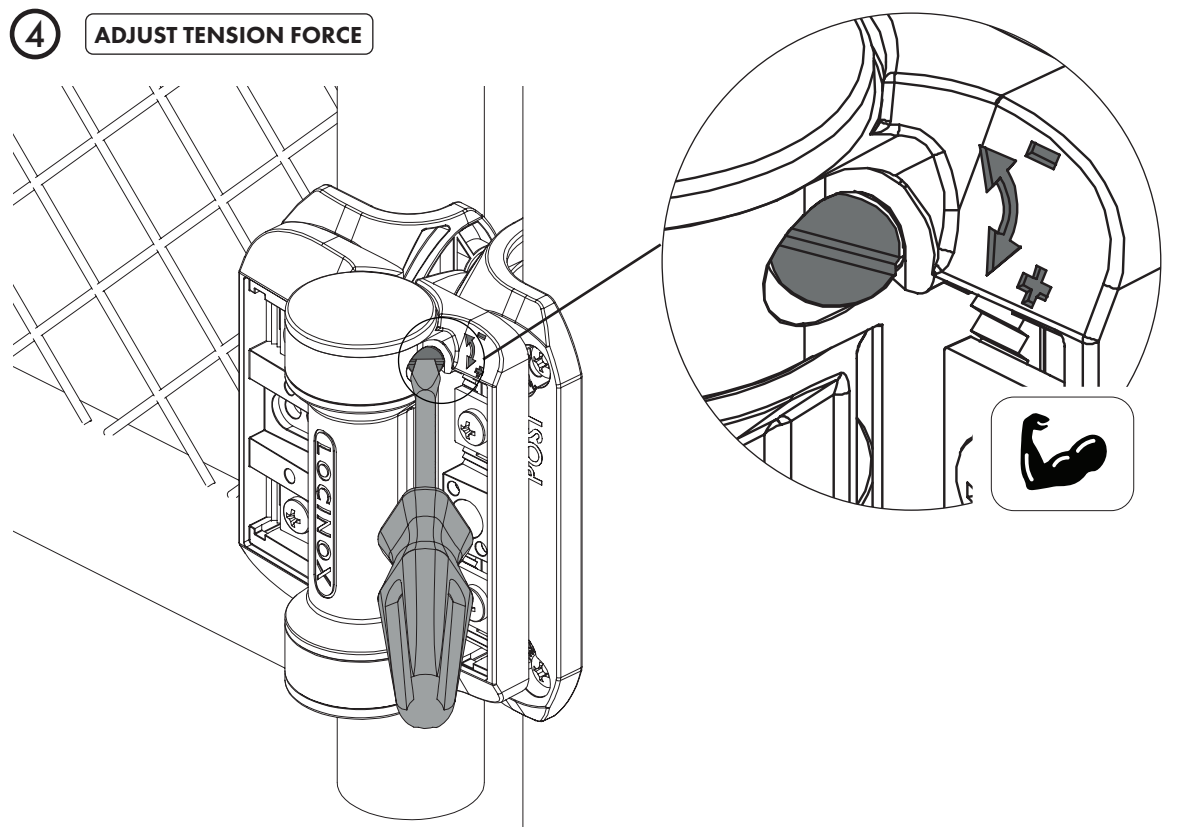
3 **A** MOUNTING SERVALS



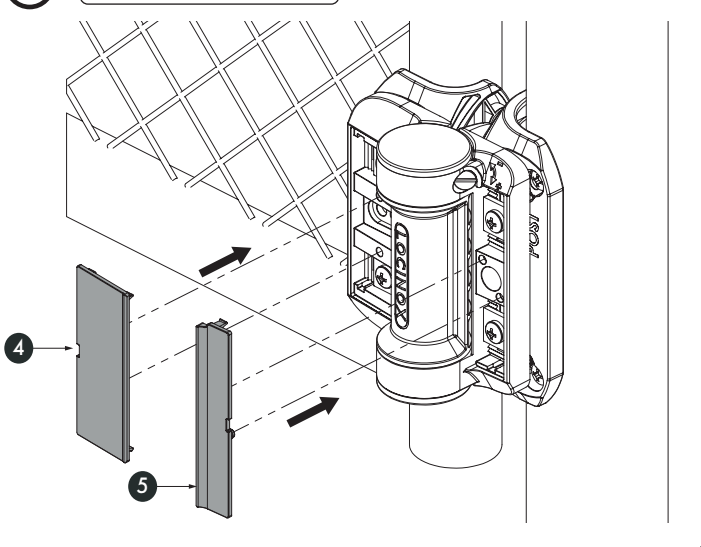
3 **B**



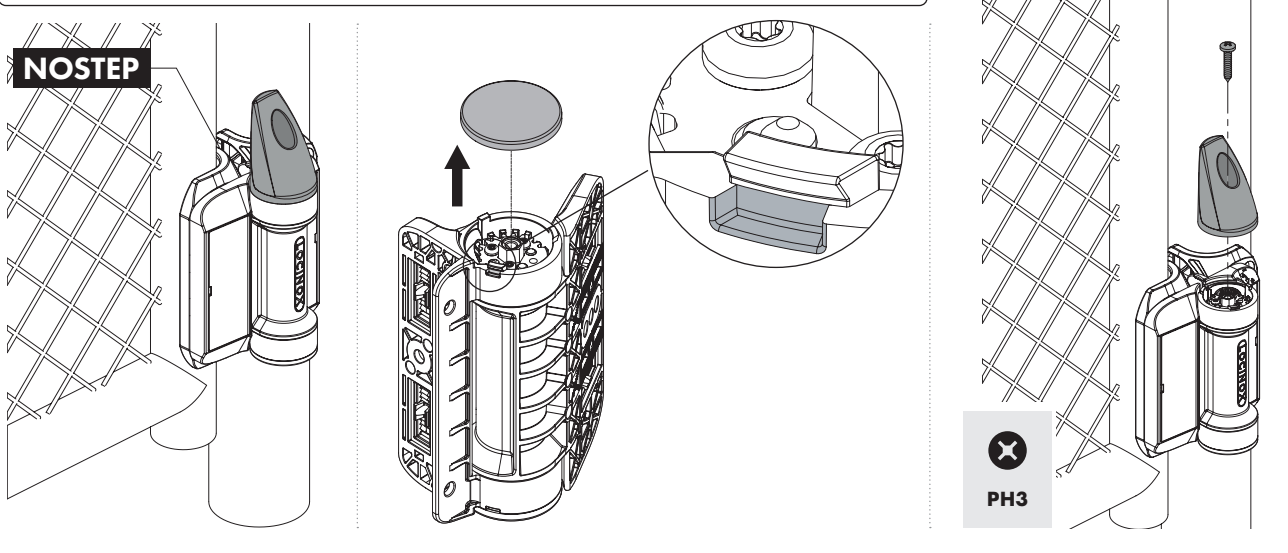
4 ADJUST TENSION FORCE



5 ADD SCREW COVERS



OPTIONAL INSTALLATION: NOSTEP PREVENTS HINGE BEING USED AS A FOOTHOLD



**SUCCESSFUL
INSTALLATION?**
Please send us your
pictures & videos

**INSTALACION
EXITOSA?**
Por favor envíenos
sus fotos y videos

**SUCCESSFUL
INSTALLATION?**
Stuur gerust uw foto's
& video's door

**INSTALLATION
RÉUSSIE?**
Veuillez nous envoyer
vos photos & vidéos

**ERFOLGREICHE
INSTALLATION?**
Bitte senden Sie uns
Ihre Bilder & Videos

**UDANA
INSTALACJA?**
Prześlij nam swoje
zdjęcia i filmy

**УСПЕШНАЯ
УСТАНОВКА?**
Пожалуйста, отправьте нам
свой фотографии и видео

LOCINOX
Let's make it better together

Doc. Nr.: MANU-000460

Locinox NV • Mannebeekstraat 21 • 8790 Waregem • Belgium
Locinox CEE • Irysowa 9 • 55-040 Bielany Wrocławskie • Poland
Locinox LLC • 460 Windy Point Drive • Glendale Heights - IL 60139 • USA



MANU-000460